

Swimming Pool Heat Pump

RAPID Series

## INSTALLATION AND USER MANUAL

EN CZ DE



**(RH25L – RX80Ls)**

***Thank*** you for choosing our product and trusting our company.

This manual is to provide you with necessary information for optimal use and maintenance, please read it carefully and keep it for subsequent use.



# Content

<b><i>I. Introduction</i></b> .....	<b>1</b>
<i>Safety precaution</i> .....	1
<i>Important features of this product</i> .....	1
<i>Parameters of product range</i> .....	3
<b><i>II. Installation Guide</i></b> .....	<b>4</b>
<i>Transport it in proper manner</i> .....	5
<i>Determining Optimum installation position</i> .....	5
<i>Water pipe connection</i> .....	7
<i>Electric connection</i> .....	8
<i>Trial after first installation</i> .....	9
<i>Heating priority</i> .....	10
<b><i>III. Operation guide</i></b> .....	<b>11</b>
<i>LED controller</i> .....	11
<i>Permanent Display</i> .....	12
<i>Common setting</i> .....	12
<b><i>IV Maintenance</i></b> .....	<b>12</b>
<b><i>V. Trouble shooting</i></b> .....	<b>13</b>
<i>Common faults</i> .....	13
<i>Failure code</i> .....	14
<b><i>VI. Declaration of TÜV Conformity</i></b> .....	<b>15</b>
<i>Certificates</i> .....	58

# *I. Introduction*

## *Safety precaution*

### **Caution: Danger of electric shock**

Always switch off power supply before working on the heat pump and stop the hydraulic circuit.

- The swimming pool heat pump must be installed by a qualified electrician.
- Always install a differential protective device with a sensitivity of 30 mA on the distribution unit before the electrical box.
- Always fit a circuit breaker for all active conductors on the power supply of the box.
- In the event of abnormal behavior (noise, smell, smoke), cut off the power supply immediately and contact your reseller. Do not attempt to repair the system yourself.
- Keep the main power supply switch far from children.
- Rotating parts: Never remove the grid from the fan. Never place your hand or any other object in the air inlet or outlet of the heat pump.

## *Important features of this product*

**This swimming pool heat pump is equipped with safeguards that will stop operation to protect your unit automatically and display error code on the LED controller in case of some events as following:**

### **Water Flow Switch**

The water flow switch contacts close when pressure is applied as pool water flows through the titanium heat exchanger. Low flow rates as well as no flow will let these contacts open and this will cause the unit to shut down. The LED display will read “EE3” if the water pressure is not sufficient.

## **High / Low Refrigerant Pressure Switches**

- The high-pressure switch senses the refrigerant pressure in the sealed refrigeration system and shuts the heat pump down in the event unsafe operating pressures are reached. The heat pump will automatically reset after the system pressure drops back to normal operating pressures. When this switch is tripped, digital displays will read “EE1”
- The low-pressure switch senses the refrigerant pressure in the sealed refrigeration system to protect against certain conditions that could be detrimental to compressor life. The switch shuts the unit down in the event of loss of refrigerant or not enough refrigerants. The switch automatically resets when the pressure rises to normal operating pressures. The display will show “EE2” if this switch is tripped.

## **Low Ambient Temperature**

If the air outside the heat pump is not warm enough to produce heat, the system will shut down. The actual point at which your unit will shut down due to low temperature varies depending on current weather conditions, the amount of sunlight reaching the heat pump. The shutdown can occur anywhere within a wide range of temperatures, usually below 0 degrees. A shutdown occurs because low temperatures will activate the systems low-pressure safeguard switch (digital controller will display a code “PP7”.) The unit will start up again when the temperature has raised enough to reset this switch.

## **Time Delay**

All models use a 3-minute time delay to prevent repeated tripping of the compressor thermal overload, which is caused by attempting startup before system pressures are equalized. Any interruptions, outside of power loss, will result in a 3-minute time delay.

## Parameters of product range

### Specification

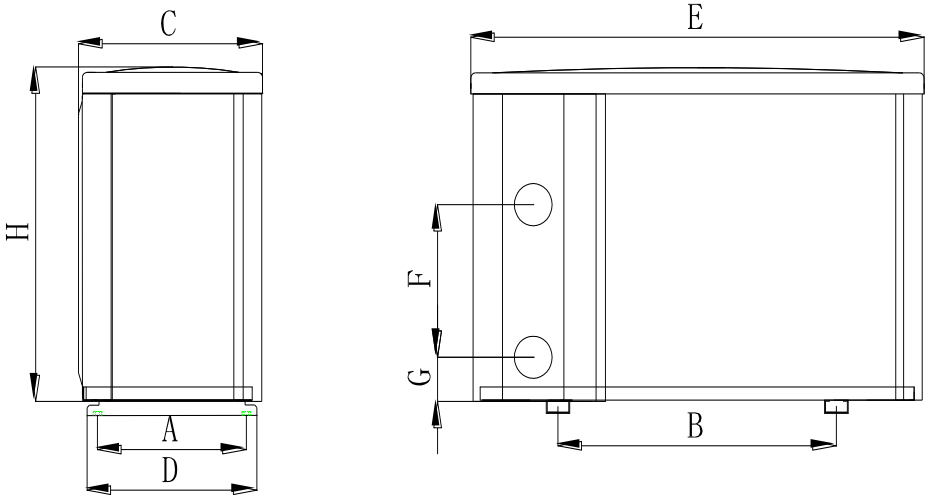
Series / Model		PH / RH(C)25L	PH / RH(C)35L	PH / RH(C)50L	PH / RX(C)60Ls	PH / RX(C)65Ls	PH / RX(C)80Ls
Function	Heating capacity kW(air 26°C, water 26°C)	10	13.5	17.5	25	28	33
	C.O.P. (air26°C,water26°C)	6.6	7	6.7	6.92	6.8	6.8
	Heating capacity kW (air 15°C,water 26°C)	6.6	9.9	11.4	15.9	16.3	22.2
	C.O.P. (air 15°C,water26°C)	4.64	4.78	4.68	4.71	4.94	5.16
	Cooling capacity kW (air 35°C,water 28°C)	6	8	10	15	16	20
	C.O.P. (air35°C,water28°C)	4	4	3.8	4.2	4.2	4
	Power supply	230-240V/1Ph/50Hz			380-415V/3Ph/50Hz		
	Rated Input power kW	1.4	2.1	2.4	3.4	3.3	4.3
	Rated Input current A	6.5	9.5	11.4	5.5	7.3	9.2
Advised water flux m <sup>3</sup> /h	4-6	5-7	6.5-8.5	7-9	8-10	10-12	
Water pipe in-out spec mm	50	50	50	50	50	50	
Net weight / Gross weight Kg	60/69	70/79	73/82	105/117	121/136	123/138	

\*C.O.P: Coefficient of performance

#### Note:

1. Mode RH/RX- is heating only; RHC/RXC is heating and cooling optional. For heating only; please ignore the parameters of cooling capacity and cooling C.O.P, other parameters are the same with the heating and cooling type
2. This product can work well under air temp +0 °C~43°C. Performance cannot be guaranteed outside the operating ranges and must take account the exterior conditions of use identified to select suitable mode (such as location, volume of swimming pool, and numbers of swimmer.)
3. Above parameters are subjected to adjustment periodically for technical improvement with further notice. Please refer to nameplate on each machine for accurate information.

**Dimension:**



Size(mm) Name Model	A	B	C	D	E	F	G	H
RH(C)25L	392	590	382	420	961	280	74	658
RH(C)35L	392	590	382	420	961	310	74	658
RH(C)50L	392	590	382	420	961	310	74	658
RX(C)60Ls	380	719	391	420	1092	600	74	958
RX(C)65Ls	507	790	492	530	1160	620	84	958
RX(C)80Ls	507	790	492	530	1160	620	84	958

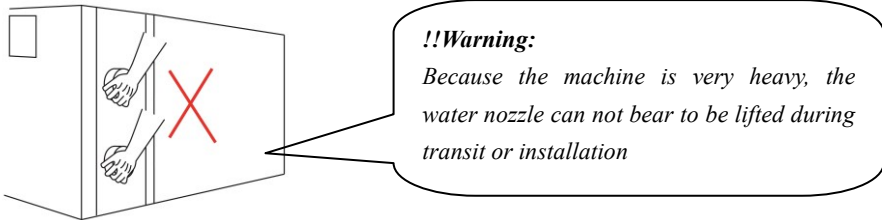
## *II. Installation Guide*

**Attention!**

**This swimming pool heat pump must be installed by a skilled team.**

## *Transport it in proper manner*

1. Transport it in original package.
2. When moving the machine, do not lift the water nozzle since the titanium heat exchanger inside the machine will be damaged. Please refer to the following wrong operation picture:



**The manufacturer cannot accept responsibility for damage incurred or repairs necessitated due to improper handling of our equipment.**

## *Determining Optimum installation position*

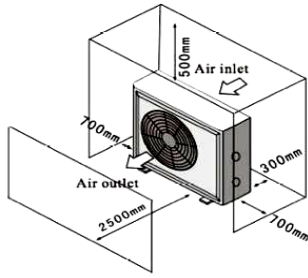
The location of the swimming pool heat pump is very important for efficient operation, think about the following factors when choose the proper place:

- ✧ Avoidance of air recirculation
- ✧ Easy for wire and pipe connection and Water pipe line of long water lines (not longer than 10m.) from heater to pool.
- ✧ Easy for maintenance.
- ✧ Drainage of condensation.

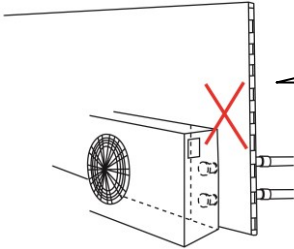
### **Pay attention to the following points:**

1. The heat pump must be installed **OUTSIDE** in a well ventilated place to avoid air recirculation or in a place with adequate room area both for installation and maintenance. Please refer to the following illustration:

*A minimum of 300mm of clearance from walls, shrubbery, equipment, etc. is required around the entire pump circumference. This allows for ample air intake. No less than 800mm clearance on the air outlet is required to prevent re-circulation of air. We recommend not placing the unit underneath eaves, decks, or porches, as this causes recirculation of discharged air, or the efficiency of the heater will be reduced or even stopped.*



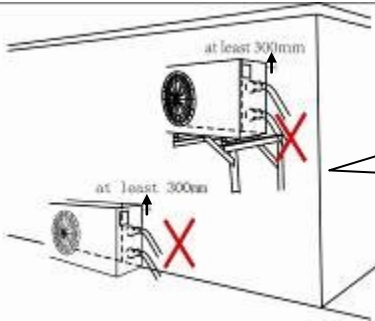
## Wrong installation



### **!!Warning:**

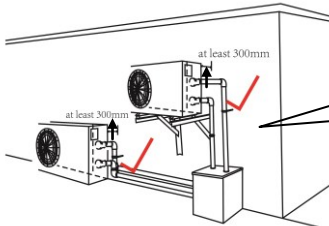
*Don't install the heat pump close to a wall or plants. And Never inside a closed building!*

- The heater should be located on a solid, level and non-corrodible structure that is capable of supporting the weight of the heat pump. It must be fixed by bolts (M10) to concrete foundation.



### **!!Warning:**

*The machine must **not** be hung onto the wall **with soft pipe** since the inlet/outlet union on the machine can't hold weight.*



*The machine must always be connected **with hard pipe!***

- The heat pump should be far from any source of combustibles and corrosive material to



avoid any damage to this unit.

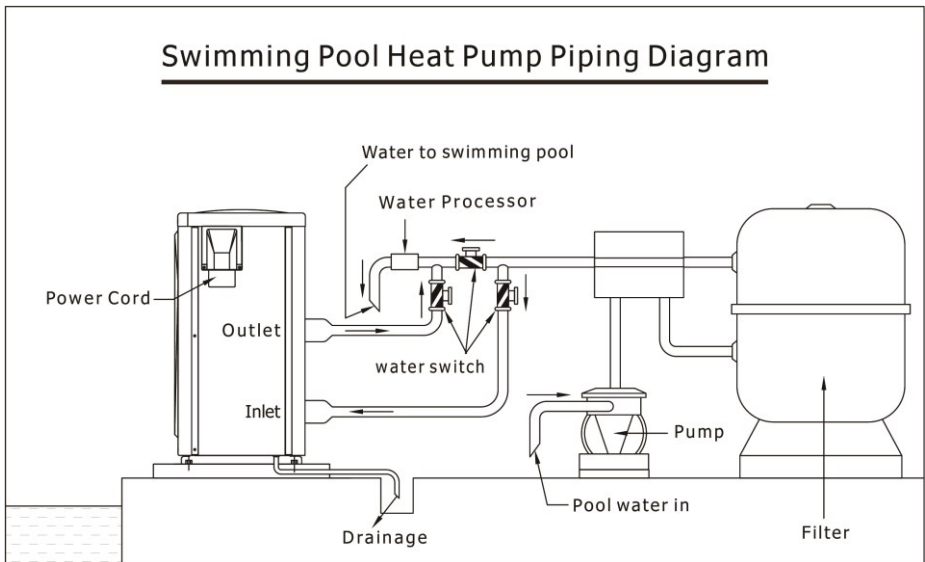
*Never place heat pump near sprinkler systems, evaporation of acid or alkaline gas. If you live in an oceanfront area, the heat pump should be placed out of direct spray of sand and salt, since this will also clog, damage, and corrode the unit. You may consider protecting your heat pump by planting shrubbery or a privacy fence between the unit and the prevailing beachfront wind.*

4. When the machine is running, there will be condensation water discharged from the bottom. Make sure there is enough space for water drainage.

**TIPS: HEAT PUMPS GENERATE WATER CONDENSATION DURING NORMAL OPERATION. THIS SHOULD NOT BE MISTAKEN FOR A LEAK IN THE UNIT.**

## *Water pipe connection*

- The water flow through this machine needs to be driven by an appended water pump (Prepared by the user). The recommended pump specification-flux is shown on the product specification and Max. lift  $\geq 10\text{m}$ ;
- Pipe length between heat pump and swimming pool should not be longer than 10m.

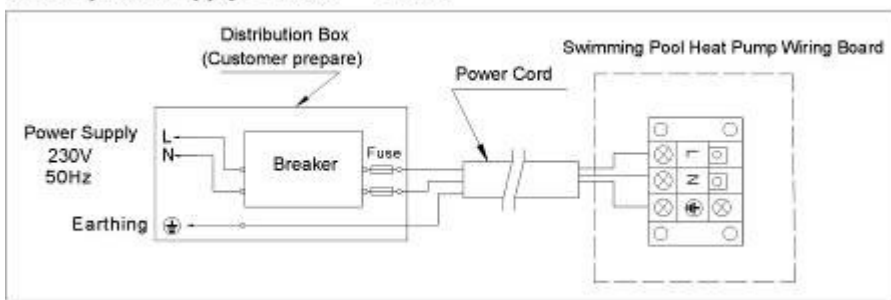


Noted: The drawing is just for demonstration, and layout of the pipes for reference.

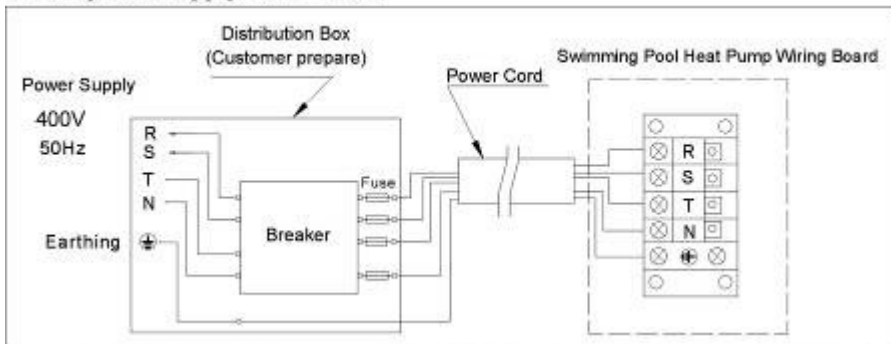
## Electric connection

- Wiring must be handled by a professional technician according to the circuit diagram as following.
- Connect the heat pump to appropriate power supply and the voltage should comply with the rated voltage of each model stated on the specification.
- Make sure the machine is ground well.
- Always put leakage protector according to the local code for wiring (leakage operating current  $\leq 30\text{mA}$ ).
- Protect the circuit with a suitable circuit breaker or fuse (as it is shown in table on page 9)

### A. For power supply: 230V 50Hz



### B. For power supply: 400V 50Hz



Attention: The swimming pool heater must be earthed well.

## Recommendation for protecting devices and cable specification

MODEL		RH(C)25L	RH(C)35L	RH(C)50L	RX(C)60Ls	RX(C)65Ls	RX(C)80Ls
Breaker	Rated Current (A)	15	20	25	15	15	20
	Rated Residual Action Current (mA)	30	30	30	30	30	30
Fuse char. D (A)		15	20	25	15	16	32
Power Cord (mm <sup>2</sup> )		3×2.5	3×2.5	3×4	5×2.5	5×2.5	5×4
Signal cable (mm <sup>2</sup> )		3×0.5	3×0.5	3×0.5	3×0.5	3×0.5	3×0.5

※ Above data is subject to modification without notice.

Note: The above data is adapted to power cord  $\leq 10$  m .If power cord is  $>10$  m, wire diameter must be increased. The signal cable can be extended to 50 m at most.

### Trial after first installation

#### Attention:

Always Start the water pump **before** turning on this machine

Turn off this machine **before** turning off the water pump.

#### Inspection before connecting power supply

- Check the installation of the whole machine and the pipe connections according to the pipe connecting drawing.
- Check the electric wiring according to the electric wiring diagram, and ground well.
- Make sure no blockage on the air inlet and outlet, or the efficiency of the heater will be reduced or cause machine to stop operation.

#### Trial after connecting power supply

- Connect the machine with electric power supply, then relative information will display on the LED controller.

*(For Detail operation of LED controller, please refer to Chapter "Operation guide".)*

- Start the water pump before turning on the Machine to avoid any damage.
- Press power on/off on LED controller to turn on/off machine.
- During the first start of machine, please check if there is any water leakage in the piping connection system. Then set suitable temperature.

- After the swimming pool heater runs, check if there is any abnormal noise or smell.

**In any abnormal situation, such as serious noise, smell or smoking please cut the power supply immediately and inform resellers, never try to repair it by yourself.**

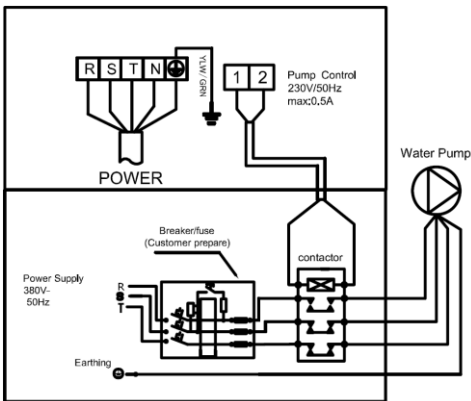
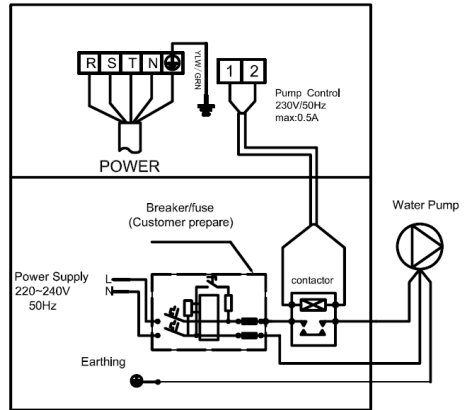
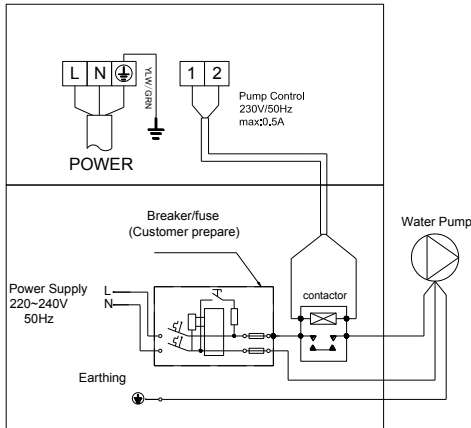
**Special cases:**

- In the event of an unexpected power cut, the heat pump will automatically restart. Check the setting and adjust if necessary.
- In the event of an expected power cut, switch off the heat pump. When power is restored, switch on the pump, check the settings and adjust if necessary.
- Always switch off the machine in stormy weather.

### *Heating priority*

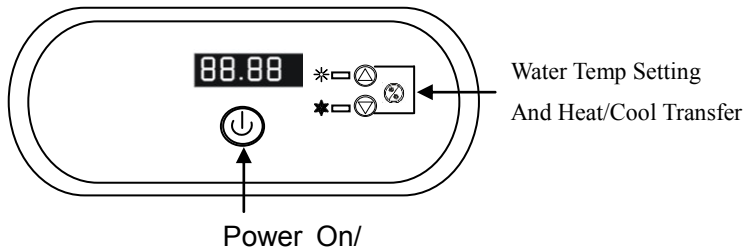


Induction coil of filter pump -  
Phase for control  
of the contactor



### III. Operation guide

#### LED controller



Power on/off



Heat/Cool Mode Press the Mode button to switch from one mode to another.

( Available only in heat and cool machine. )



Down-ALLOW Set required temperature



UP-ALLOW Set required temperature

88.88

LED screen Display temperature and machine failure code.

## *Permanent Display*

The LED screen will always display **Water temperature** in swimming pool

## *Common setting*





### 1. Heat/Cool Mode

Press the Mode button to switch from one mode to another.

*(Available only in heat and cool machine.)*

### 2. Required pool water temperature

*It can be adjusted both when the machine is on or off.*

- A. Press UP-ALLOW key  or DOWN-ALLOW key  to set to your required pool water temperature.
- B. The numbers in the LED screen will flash during your operation.
- C. After five seconds, it will stop flashing and be saved, the LED screen will return to the permanent display. (it shows temperature of water)
- D. When you want to check the temperature, press UP-ALLOW key  or DOWN-ALLOW key  to see the current setting.

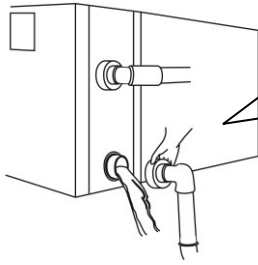
## *IV Maintenance*

### **Caution: Danger of electric shock**

“Cut off” power supply of the heater before cleaning, examination and repairing

- A. In winter season when you don't swim:
  1. Cut off power supply to prevent any machine damage

2. Drain water clear of the machine.



**!!Important:**

Unscrew the water nozzle of inlet pipe to let the water flow out.

*When the water in machine freezes in winter season, the titanium heat exchanger may be damaged.*

3. cover the machine body when not in use.
- B. Please clean this machine with household detergents or clean water, NEVER use gasoline, thinners or any similar fuel.
- C. Check bolts, cables and connections regularly.

## V. Trouble shooting

### Common faults

	Phenomenon	Possible reason
<b>Not failure</b>	<p>A. Noticeable White vaporous cold air or water.</p> <p>B. Popping sound</p>	<p>A. The fan motor stops automatically for defrost.</p> <p>B. There will be sound from the solenoid valve when machine starts or ends to defrost.</p> <p>C. During machine working or just stopping, a sound like water flow, in 2~3 minutes of starting the machine. This Sound comes from refrigerant flowing or water drainage during dehumidification.</p> <p>D. The popping sound during the operation is caused by expand on heating and contract on cooling of the heat exchanger when temperature varies.</p>
<b>Recheck</b>	Heat pump does not run	<p>A. Power supply failure</p> <p>B. Check manual power supply switch to make sure it is on.</p> <p>C. Fuse burned.</p> <p>D. If machine auto- protector has started (check failure code display on controller).</p> <p>E. Check whether machine automatic on or off was set.</p>

	Running but not heating or cooling	Check if there is blockage on air inlet and outlet of the unit.
--	------------------------------------	---

NO.	Failure code	Failure description	Action
-----	--------------	---------------------	--------

**Note:** If the following conditions happen, please stop the machine and cut off the power supply immediately, then contact your dealer:

The fuse is frequently broken or leakage circuit breaker jumped.

*Failure code*



1	EE 1	High pressure protection of refrigerant	Contact your dealer.
2	EE 2	Low pressure protection of refrigerant	Contact your dealer.
3	EE 3	Low water pressure protection	1. Check if there is no water through the machine; make sure the pump is on. 2. Or contact your dealer.
4	EE 4	A.Single phase machine : failure connection due to loose wire terminal of PROT2 on the PC board B.Three phase machine : 3 phase sequence protection	Contact your dealer.
5	PP 1	Pool water temp sensor failure	Contact your dealer.
6	PP 2	a. Heat only type : Exhaust temp sensor failure b. Heat and cool type: Cooling coil pipe temp sensor failure	Contact your dealer.
7	PP 3	Heating coil pipe temp sensor failure	Contact your dealer.
8	PP 4	Gas return temp sensor	Contact your dealer.
9	PP 5	Air temp sensor	Contact your dealer.
10	PP 6	Compressor exhaust overload protection	Contact your dealer.
11	PP 7	When the temperature < 0°C,auto stop for protection (Not Failure )	Machine Auto-protection
12	EE8/888 /Messy Code	Communication Failures	Contact your dealer.

## ***VI. Declaration of TÜV Conformity***

We, FAIRLAND ELECTRIC (CHINA) LIMITED, hereby declare that our products delivered to Vagnerpool s.r.o indicated below are equivalent models with Fairland models below. The heating capacity & C.O.P of bellowed models at air 15 °C and water 26 °C are all tested and certified by TÜV Rheinland.

Product: Swimming Pool Heat pump

Vagnerpool reference	Fairland reference	TÜV Test report NO
RH(C)25L	PH(C)25L	16038689 002
RH(C)35L	PH(C)35L	16038689 003
RH(C)50L	PH(C)50L	16038689 004
RX(C)60Ls	PH(C)60Ls	16038689 013
RX(C)65Ls	PH(C)65Ls	16038689 006
RX(C)80Ls	PH(C)80Ls	16038689 007



Date: Dec 3, 2013  
Place: Guangdong, China

Director:  
Signature:

**Notes:**



# Instalační a uživatelská příručka



**(RH25L – RX80Ls)**

*Děkujeme Vám*, že jste si zvolili náš produkt a za projevenou důvěru. Tato příručka Vám poskytne potřebné informace pro optimální využití a údržbu. Pečlivě si ji prostudujte a uložte pro další použití.

# Obsah

<b>I. Úvod</b> .....	20
<i>Bezpečnostní opatření</i> .....	20
<i>Důležité charakteristiky výrobku</i> .....	20
<i>Parametry výrobků</i> .....	23
<b>II. Průvodce instalací</b> .....	24
<i>Správný způsob přepravy</i> .....	25
<i>Určení optimální instalační pozice</i> .....	25
<i>Připojení vodního potrubí</i> .....	27
<i>Elektrické zapojení</i> .....	28
<i>Zkouška prvotní instalace</i> .....	29
<i>Schématické zapojení</i> .....	30
<b>III. Průvodce provozem</b> .....	30
<i>LED ovladač</i> .....	31
<i>Trvalé zobrazení</i> .....	31
<i>Obvyklé nastavení</i> .....	32
<b>IV. Údržba</b> .....	32
<b>V. Řešení problémů</b> .....	33
<i>Obvyklé poruchy</i> .....	33
<i>Kód poruchy</i> .....	35
<b>VI. Deklarace o shodě s TUV Certifikací</b> .....	35
<i>Certifikáty</i> .....	58

# I. Úvod

## Bezpečnostní opatření

### **Pozor: Nebezpečí úrazu elektrickým proudem**

Před prací na tepelném čerpadle vždy odpojte zařízení od napájení a zastavte hydraulický okruh

- Bazénové tepelné čerpadlo musí vždy instalovat zkušený elektrikář.
- Vždy instalujte proudový chránič s citlivostí 30 mA do rozvaděče před tepelné čerpadlo.
- Vždy instalujte jistič pro všechny aktivní vodiče do rozvaděče.
- V případě neobvyklého chování (hluk, zápach, kouř) okamžitě odpojte od zdroje a kontaktujte prodejce. Nesnažte se opravovat systém sami.
- Síťový vypínač instalujte z dosahu dětí.
- Rotující díly: Nikdy nesundávejte mřížku z ventilátoru. Nikdy nestrkejte ruce ani jiné předměty do otvorů pro přívod nebo výstup vzduchu tepelného čerpadla.

## Důležité charakteristiky výrobku

**Bazénové tepelné čerpadlo je vybaveno následujícími ochrannými zařízeními, která automaticky zastaví provoz, aby ochránila jednotku a zobrazí chybové hlášení na LED ovladači:**

### Spínač průtoku

Kontakty spínače průtoku vody se sepnou, když dojde k průtoku vody přes titanový tepelný výměník. Při nízkém nebo žádném průtoku zůstanou tyto kontakty otevřené, což způsobí, že se jednotka zastaví. Při nedostatečném průtoku vody zobrazí LED displej hlášení „EE3”.

## **Spínače vysokého/nízkeho tlaku chladiva**

- Vysokotlaký spínač sníma tlak chladiva v hermetickém chladicím systému a vypíná tepelné čerpadlo v případě dosažení nebezpečného provozního tlaku. Tepelné čerpadlo se automaticky resetuje poté, co tlak systému klesne zpět na normální provozní hodnotu. Po rozepnutí tohoto spínače digitální displej zobrazí „EE1”
- Nízkotlaký spínač sníma tlak chladiva v uzavřeném chladicím systému na ochranu proti některým podmínkám, které by mohly zkrátit životnost kompresoru. Spínač vypíná jednotku v případě ztráty chladiva nebo jeho nedostatku. Spínač se automaticky resetuje, když se tlak zvýší na normální provozní hodnotu. Displej zobrazí hlášení „EE2”

## **Nízká okolní teplota**

Při nízkých teplotách okolního vzduchu se tepelné čerpadlo zastaví, neboť účinnost topení již není efektivní, zpravidla jde o teplotu  $\leq 0^{\circ}\text{C}$ . (LED ovladač zobrazí kód „PP7“). Jednotka se opět spustí poté, co se okolní teplota zvýší.

## **Časové prodlení**

Všechny modely pracují s 3 minutovou časovou prodlevou zabrahující opakovanému spouštění kompresoru tepelného čerpadla. Po každém přerušení, mimo ztráty energie, nastane minimálně 3 minutová časová prodleva.



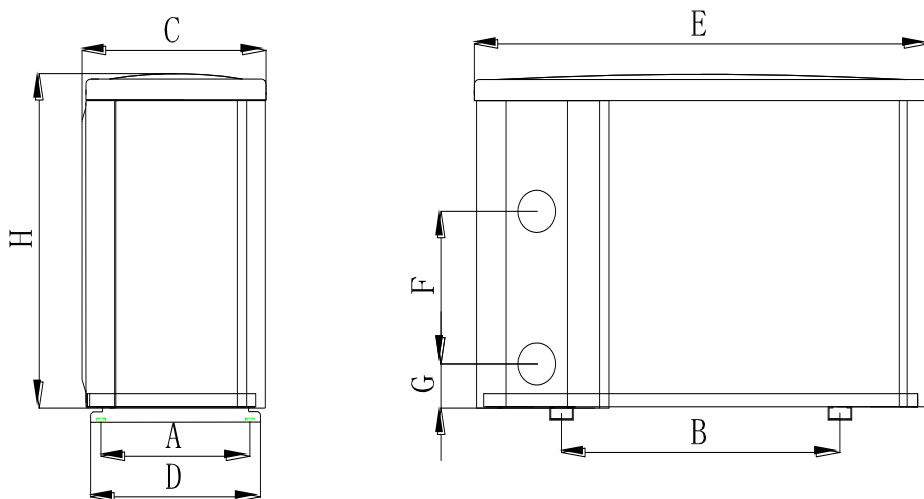
## Specifikace

Series / Model		PH / RH(C)25L	PH / RH(C)35L	PH / RH(C)50L	PH / RX(C)60Ls	PH / RX(C)65Ls	PH / RX(C)80Ls
Autoný, A	Výkon topení (kW) (vzduch 26°C, voda 26°C)	10	13.5	17.5	25	28	33
	COP (vzduch 26°C, voda 26°C)	6.6	7	6.7	6.92	6.8	6.8
	Výkon topení (kW) (vzduch 15°C, voda 26°C)	6.6	9.9	11.4	15.9	16.3	22.2
	COP (vzduch 15°C, voda 26°C)	4.64	4.78	4.68	4.71	4.94	5.16
	Výkon chlazení (kW) (vzduch 35°C, voda 28°C)	6	8	10	15	16	20
	C.O.P. (air35°C, water28°C)	4	4	3.8	4.2	4.2	4
	Napájení	230-240V/1Ph/50Hz			380-415V/3Ph/50Hz		
	Jmenovitý příkon (kW)	1.4	2.1	2.4	3.4	3.3	4.3
	Jmenovitý vstupní proud (A)	6.5	9.5	11.4	5.5	7.3	9.2
Doporučený min. průtok (m³/h)	4-6	5-7	6.5-8.5	7-9	8-10	10-12	
Dimenze potrubí pro přívod/odvod vody (mm)	50	50	50	50	50	50	
Hmotnost čistá/s příslušenstvím (kg)	60/69	70/79	73/82	105/117	121/136	123/138	

### Poznámka:

1. Režim RH~ znamená pouze vytápění, RHC je volitelné vytápění a chlazení a S vyjadřuje třífázový provoz. Pro samostatné vytápění ignorujte parametry chladicí kapacity a koeficientu chlazení, ostatní parametry jsou stejné pro vytápěcí i chladicí typ.
2. Tepelné čerpadlo pracuje správně při teplotách vzduchu +0°C ~ 43°C. Mimo tento rozsah nelze výkon garantovat. Je nutné vzít v úvahu zjištěné venkovní podmínky používání, aby se zvolil vhodný režim (např. umístění, objem bazénu a počet koupajících).
3. Výše uváděné parametry podléhají pravidelným úpravám z důvodu technického vylepšení.

## Rozměry:



Size(mm) Name Model	A	B	C	D	E	F	G	H
RH(C)25L	392	590	382	420	961	280	74	658
RH(C)35L	392	590	382	420	961	310	74	658
RH(C)50L	392	590	382	420	961	310	74	658
RX(C)60Ls	380	719	391	420	1092	600	74	958
RX(C)65Ls	507	790	492	530	1160	620	84	958
RX(C)80Ls	507	790	492	530	1160	620	84	958

- *Výše uvedená data mohou být změněna bez oznámení*

## II. Průvodce instalací

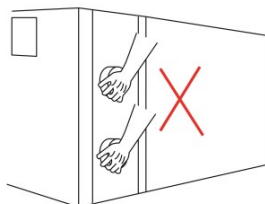
### Pozor!

Toto bazénové tepelné čerpadlo musí instalovat odborný tým.

### Správný způsob přepravy

1. Tepelné čerpadlo přepravujte v originálním obalu.
2. Tepelné čerpadlo nezvedejte za šroubení tepelného výměníku, protože by se mohl poškodit titanový tepelný výměník na boku stroje.

Obrázek chybného úchopu:



#### **!!Pozor:**

Nezvedejte tepelné čerpadlo za hrdla výměníku (i když je to praktické), hrozí poškození výměníku

**Výrobce nepřijímá odpovědnost za poškození nebo nutné opravy v důsledku nesprávného zacházení se strojem.**

### Určení optimální instalační pozice

Umístění bazénového tepelného čerpadla je velmi důležité pro účinné fungování, takže při výběru správného místa si promyslete následující faktory:

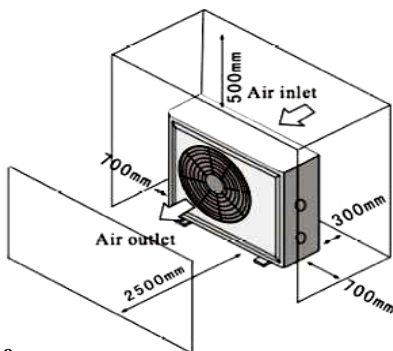
- ✧ jak zabránit recirkulaci vzduchu
- ✧ snadné připojení vodičů, potrubí (ne delších než 10 metrů) z ohříváče do bazénu.
- ✧ snadná údržba.
- ✧ odvod kondenzátu.

#### **Dbejte na následující body:**

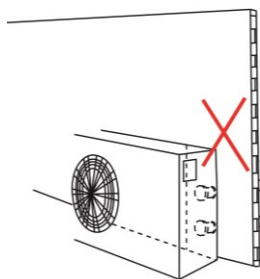
1. Tepelné čerpadlo instalujte VENKU na dobře větraném místě, aby nedocházelo k recirkulaci vzduchu nebo na místě, kde je dostatek prostoru pro instalaci a údržbu.

Viz. schéma:

Je nutné dodržet minimální volnou vzdálenost 300 mm od zdi, křoví, zařízení, atd. okolo celého obvodu tepelného čerpadla. To umožňuje bohatý přístup vzduchu. Volná vzdálenost nejméně 800 mm na výstupu vzduchu je nutná k tomu, aby se zabránilo recirkulaci vzduchu. Doporučujeme neumísťovat jednotku pod okapy, terasy nebo přístřešky, protože zde dochází k recirkulaci vypuštěného vzduchu nebo by se zde snížila, či dokonce zastavila účinnost zařízení.



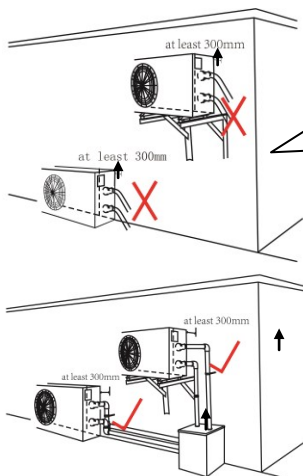
## Chybná instalace



### **!!Pozor:**

Neinstalujte tepelné čerpadlo poblíž stěny nebo živého plotu. A nikdy uvnitř uzavřené budovy!

2. Ohřívač by měl být umístěn na pevné, rovné a nekorodující konstrukci, která je schopná unést váhu tepelného čerpadla. Musí být připevněno pomocí šroubů k betonovým základům.



### **!!Pozor:**

Při instalaci na konzole nepřipojujte tepelné čerpadlo pomocí hadic, šroubení neudrží hmotnost vody a hadic a hrozí poškození výměníku

Stroj musí být vždy připojený pomocí trubky, nikoliv hadice!

3. Tepelné čerpadlo by mělo být dostatečně daleko od všech zdrojů hořlavin nebo korozivních materiálů, aby nedošlo k jeho poškození.

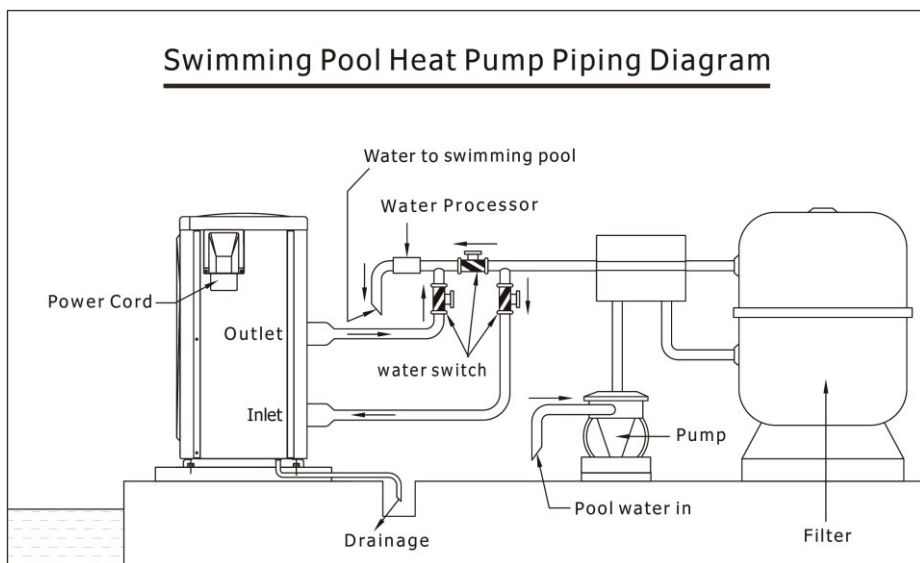
*Nikdy neumísťujte tepelné čerpadlo poblíž sprinklerových systémů nebo míst, kde dochází k vypařování kyselých nebo zásaditých plynů. Pokud žijete na pobřeží moře, mělo by být tepelné čerpadlo umístěno mimo přímý dosah písku a soli, protože by mohlo dojít k ucpání, poškození a korozi jednotky. Můžete zvážit ochranu tepelného čerpadla umístěním živého nebo ochranného plotu mezi jednotku a pláž proti směru převažujících větrů.*

4. Když je stroj v chodu, bude ze dna vypouštěna kondenzační voda. Ujistěte se, že budete mít dostatek místa pro odčerpání vody.

**TIPY: TEPELNÁ ČERPADLA VYTVÁŘEJÍ PŘI BĚŽNÉM PROVOZU KONDENZOVANOU VODU, COŽ BY NEMĚLO BÝT ZAMĚŇOVÁNO S PROSAKOVÁNÍM Z VÝMĚNÍKU.**

### **Připojení vodního potrubí**

- Průtok vody zařízením musí být zajištěn doplňkovým vodním (filtračním) čerpadlem (není součástí tepelného čerpadla). Doporučená specifikace – průtok čerpadla je uveden v technických údajích o výrobku a maximální převýšení  $\geq 10$  m;
- Délka potrubí mezi tepelným čerpadlem a bazénem by neměla být delší než 10 m.



Poznámka: Schéma je pouze ukázkou

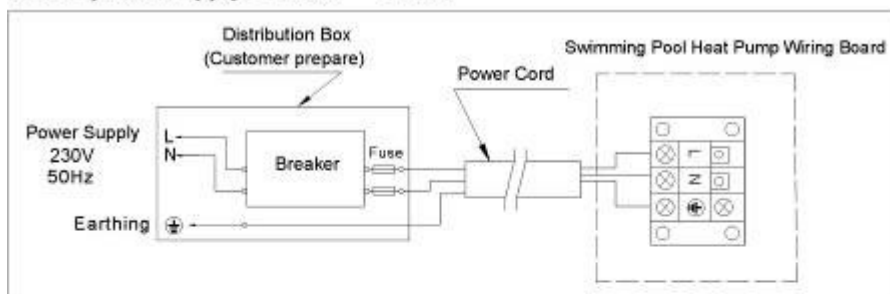
## Elektrické zapojení

Elektrickou instalaci musí provést odborník dle příslušné vyhlášky podle schématu obvodu následujícím způsobem:

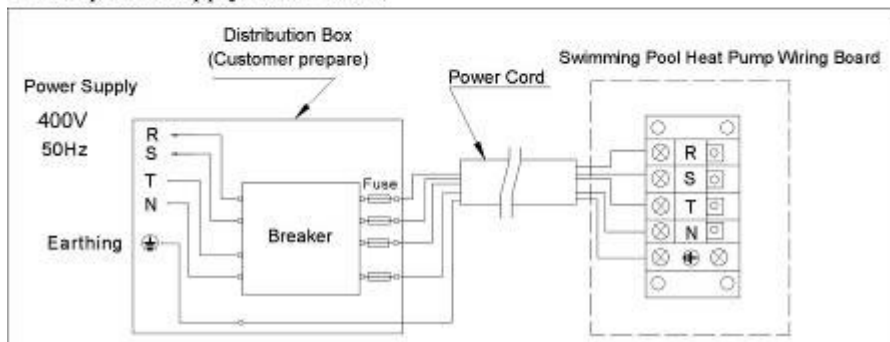
- Připojte tepelné čerpadlo k příslušnému zdroji energie, jehož napětí by mělo souhlasit se jmenovitým napětím každého modelu uvedeného ve specifikaci.
- Ujistěte se, že stroj je dobře uzemněn.
- Vždy umístěte zemnicí vodič v souladu s místními předpisy pro elektrickou instalaci (zemnicí svodový proud  $\leq 30\text{mA}$ ).
- Chraňte obvod vhodným jističem nebo pojistkou (dle tab. str. 35).

A. Schéma jednofázového připojení 230 V 50Hz

A. For power supply: 230V 50Hz



B. For power supply: 400V 50Hz



**Pozor: tepelné čerpadlo musí být řádně uzemněno.**

## Doporučení pro specifikaci ochranných zařízení a kabelů

MODEL		RH(C)25L	RH(C)35L	RH(C)50L	RX(C)60Ls	RX(C)65Ls	RX(C)80Ls
Jistič	Jmenovitý proud (A)	15	20	25	15	15	20
	Jmenovitý zbytkový proud (mA)	30	30	30	30	30	30
Jistič char. D (A)		15	20	25	15	16	32
Silový kabel (mm <sup>2</sup> )		3×2.5	3×2.5	3×4	5×2.5	5×2.5	5×4
Signální kabel (mm <sup>2</sup> )		3×0.5	3×0.5	3×0.5	3×0.5	3×0.5	3×0.5

※ Výše uvedené údaje podléhají změnám bez oznámení.

Poznámka: Výše uvedené údaje jsou upraveny pro silový kabel  $\leq 10$  m. Pokud je silový kabel  $> 10$  m, je nutný průřez drátu zvětšit. Signální kabel lze prodloužit až na 50 m.

## Zkouška prvotní instalace

### Pozor:

Před zapnutím tepelného čerpadla vždy spusťte vodní čerpadlo a vypněte před vypnutím vodního čerpadla.

### Kontrola před připojením zdroje proudu

- Zkontrolujte instalaci celého stroje a potrubní spoje dle schéma. Zkontrolujte elektrické zapojení podle diagramu elektrické instalace a dobře uzemněte.
- Ujistěte se, že nic neblokuje otvory pro přívod a odvod vzduchu, jinak by se snížila účinnost tepelného čerpadla, nebo by se mohlo poškodit.

### Kontrola po připojení zdroje proudu

- Připojte stroj ke zdroji elektrické energie, poté LED panel zobrazí příslušné informace.  
(*Podrobné funkce LED ovladače viz kapitola „Průvodce provozem“.*)
- Před zapnutím stroje spusťte vodní čerpadlo, aby nedošlo k poškození.
- Tlačítkem Power (on/off) (zapnout/vypnout) na LED panelu zapínáte/vypínáte zařízení.
- Během prvního spuštění stroje zkontrolujte, zda potrubními spoji neprosakuje voda. Poté nastavte vhodnou teplotu.
- Po rozběhu, zkontrolujte, zda se neobjeví neobvyklý hluk nebo zápach.

V neobvyklých situacích, jako je značný hluk, zápach nebo kouř ihned odpojte od zdroje a informujte prodejce. Nikdy se nepokoušejte stroj opravovat sami.

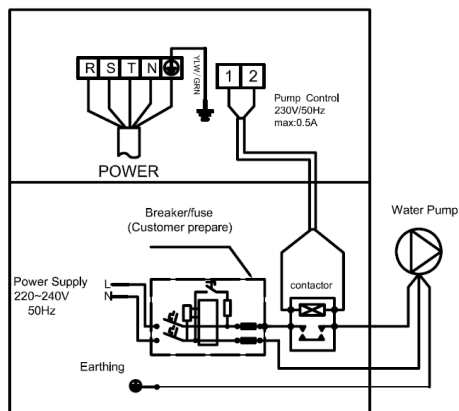
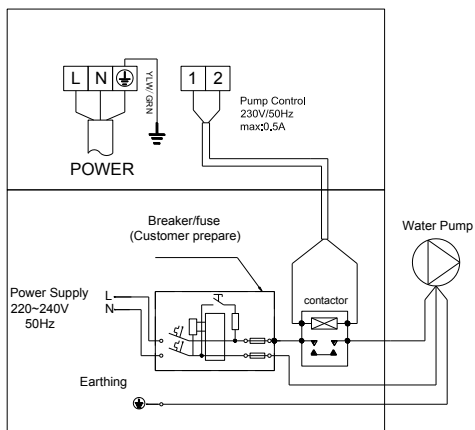
### Zvláštní situace:

- V případě neočekávaného výpadku elektrické energie provede tepelné čerpadlo automatický restart. Zkontrolujte nastavení a případně upravte.
- V případě očekávaného výpadku energie tepelné čerpadlo vypněte. Po obnovení dodávky proudu čerpadlo zapněte, zkontrolujte nastavení a případně upravte.
- Za bouřky vždy čerpadlo vypněte a odstavte od el. sítě.

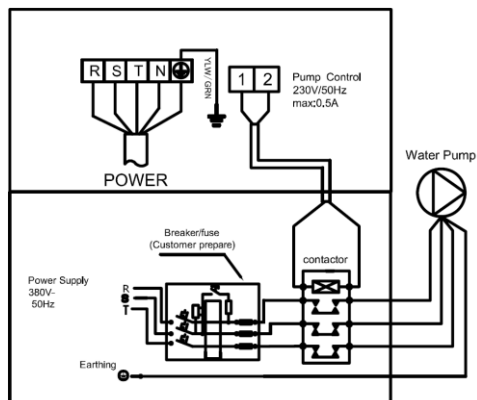
### Schématické zapojení



Výstupní fáze L<sub>1</sub> k ovládání cívky stykače filtračního čerpadla

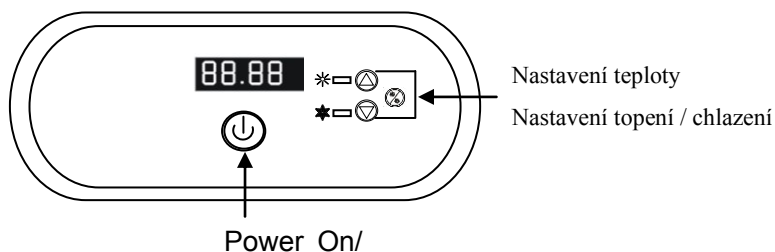






### III. Průvodce provozem

#### LED ovladač



Zapnutí/vypnutí přístroje



COOL Ukazatel režimu chlazení (pouze modely topení i chlazení)

HEAT Ukazatel režimu topení



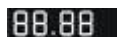
MODE Tlačítko pro volbu režimu topení nebo chlazení (pouze modely topení i chlazení)



Down Nastavení požadované teploty (posun dolů)



UP Nastavení požadované teploty (posun nahoru)



LED displej Ukazuje teplotu a kód poruchy stroje

#### Trvalé zobrazení

Displej zobrazuje teplotu vody i když je tepelné čerpadlo vypnuté.





### 1. Režim vyhřívání/chlazení

Stiskněte tlačítko Mode pro přepínání z jednoho režimu na druhý.

*Dostupný pouze u modelů topení/chlazení.*

### 2. Požadovaná teplota bazénové vody

*Může být nastavena při zapnutém přístroji.*

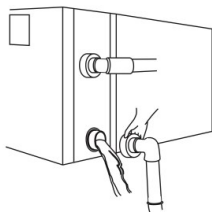
- A. Stiskněte klávesu UP  nebo DOWN  pro nastavení na požadovanou teplotu bazénové vody.
- B. Čísla na LED obrazovce budou během operace blikat.
- C. Po pěti vteřinách přestanou blikat, uloží se a LED obrazovka se vrátí do trvalého zobrazení (zobrazuje aktuální teplotu vody).
- D. Kontrolu teploty provedete stiskem tlačítka UP  nebo DOWN .

## IV. Údržba

### Pozor: Nebezpečí úrazu elektrickým proudem

„Odpojte“ napájení tepelného čerpadla před prováděním jakéhokoli čištění, prohlídek nebo oprav.

- A. V zimní sezóně, když bazén nepoužíváte:
  1. odpojte od napájení, aby nedošlo k poškození přístroje,
  2. vyčerpajte vodu ze stroje a



#### !!Důležité:

Odšroubujte převlečné matice přívodní a odvodní trubky, aby voda mohla vytékat.

*Pokud by voda ve stroji v zimě zamrzla, mohl by se poškodit titanový tepelný výměník.*

3. stroj přikryjte, pokud se nepoužívá.
- B. Tento stroj prosím čistěte čistícími prostředky pro domácnost nebo čistou vodou, **NIKDY** nepoužívejte benzín, rozpouštědla nebo podobné látky.
  - C. Pravidelně kontrolujte šrouby, kabely a přípojky.

## V. Řešení problémů

### Obvyklé poruchy

	Jev	Možná příčina
<b>Nejde o poruchu</b>	<p>A. Nápadná pára ze studeného vzduchu nebo vody.</p> <p>B. Žbľuňkavý zvuk</p>	<p>A. Motor ventilátoru se automaticky zastaví kvůli odmrazení.</p> <p>B. Zvuk ze solenoidového ventilu, když se stroj spouští nebo zastavuje kvůli odmrazení.</p> <p>C. Během chodu stroje nebo při zastavování se objeví zvuk jako průtok vody, 2~3 minuty od spuštění stroje. Tento zvuk pochází od proudícího chladiva nebo vypouštění vody během odvlhčování.</p> <p>D. Žbľuňkavý zvuk během provozu je způsoben roztahováním při ohřátí a smršťováním při ochlazení tepelného výměníku, když se teploty mění.</p>
<b>Přezkoušení</b>	Tepelné čerpadlo nepracuje	<p>A. Porucha napájení</p> <p>B. Zkontrolujte, zda je zapnutý ruční vypínač napájení.</p> <p>C. Spálená pojistka</p> <p>D. Pokud displej zobrazuje, zkontrolujte zobrazení kódu poruchy</p> <p>E. Zkontrolujte, zda bylo nastaveno automatické spuštění nebo vypnutí stroje</p>
	Čerpadlo pracuje, ale neohřeje ani nechladí	Zkontrolujte, zda u jednotky nejsou zablokované otvory pro přívod/odvádění vzduchu.

**Poznámka:** Pokud nastanou následující podmínky, zastavte prosím stroj a okamžitě odpojte od zdroje. Poté kontaktujte prodejce.

Č.	Kód poruchy	Popis poruchy	Zásah
1	EE 1	Vysokotlaká ochrana chladiva	Kontaktujte prodejce.
2	EE 2	Nízkotlaká ochrana chladiva	Kontaktujte prodejce.
3	EE 3	Ochrana proti nízkému průtoku vody	1. Zkontrolujte, zda strojem protéká voda, ujistěte se, že čerpadlo je zapnuté 2. Propláchněte filtraci
4	EE 4	A. Jednofázový stroj: porucha klemy na svorce PROT2 elektronické desky B. Třífázový stroj: 3fázová sekvenční ochrana	Kontaktujte kvalifikovaného elektrikáře
5	PP 1	Porucha snímače teploty bazénové vody	Kontaktujte prodejce.
6	PP 2	a. Typ pouze s ohřevem: porucha snímače teploty odsávání b. Typ s ohřevem a chlazením: porucha snímače teploty chladicí trubky	Kontaktujte prodejce.
7	PP 3	Porucha snímače teploty topení	Kontaktujte prodejce.
8	PP 4	Snímač teploty vratného plynu	Kontaktujte prodejce.
9	PP 5	Snímač teploty vzduchu	Kontaktujte prodejce.
10	PP 6	Ochrana proti přetížení výtlačku kompresoru	Kontaktujte prodejce.
11	PP 7	Při nižší teplotě jak 0°C dojde k automatickému zastavení (nejde o poruchu )	Automatická ochrana stroje
12	EE8/ 8888/ Kód zmatku	Selhání Komunikace – zkontrolujte zapojení ovladače	Kontaktujte prodejce.

## VI. Deklarace o shodě s TÜV Certifikací

FAIRLAND ELECTRIC (CHINA) LIMITED, tímto deklaruje, že níže zmíněné tepelná čerpadla vyvíjená pro společnost Vágner Pool s.r.o. jsou výkonem totožná s TÜV certifikovanými tepelnými čerpadly společnosti Fairland. Výsledné hodnoty (Tepelný výkon & C.O.P) byly získány při teplotách vzduchu 15 °C a vody 26 °C, testovaným modelům byla udělena certifikace *TÜV Rheinland*.

Produkt: Tepelná čerpadla

Vágner Pool označení	Fairland označení	TÜV Test report NO
RH(C)25L	PH(C)25L	16038689 002
RH(C)35L	PH(C)35L	16038689 003
RH(C)50L	PH(C)50L	16038689 004
RX(C)60Ls	PH(C)60Ls	16038689 013
RX(C)65Ls	PH(C)65Ls	16038689 006
RX(C)80Ls	PH(C)80Ls	16038689 007

Date: Dec 3, 2013  
Place: Guangdong, China

Director:  
Signature:



Poznámky:







Schwimmbecken-  
Wärmepumpe

# Installations- und Anwender-Handbuch



**(RH25L – RX80Ls)**

*Wir danken Ihnen*, dass Sie unser Produkt ausgewählt haben und ebenfalls danken wir für Ihr Vertrauen. Dieses Handbuch gewährt Ihnen die notwendigen Informationen für eine optimale Nutzung und Wartung. Lesen Sie es sorgfältig durch und speichern Sie es für weitere Verwendung.

# Inhalt

<b>I. Einleitung</b> .....	40
<i>Sicherheitsmaßnahme</i> .....	40
<i>Wichtige Charakteristiken des Produktes</i> .....	40
<i>Parameter der Produkte</i> .....	42
<b>II. Installationsanweisungen</b> .....	43
<i>Richtige Transportart</i> .....	44
<i>Bestimmung der optimalen Installationsposition</i> .....	44
<i>Wasserleitungsanschluss</i> .....	46
<i>Elektrischer Anschluss</i> .....	46
<i>Probe vor der ersten Inbetriebnahme</i> .....	48
<i>Schematischer Anschluss</i> .....	49
<b>III. Betriebsanweisungen</b> .....	50
<i>LED-Bedienung</i> .....	50
<i>Daueranzeige</i> .....	51
<i>Gewöhnliche Einstellung</i> .....	51
<b>IV. Wartung</b> .....	52
<b>V. Lösungen der Probleme</b> .....	53
<i>Übliche Störungen</i> .....	53
<i>Störungscode</i> .....	54
<b>VI. TÜV-Konformitätserklärung</b> .....	55
<u><a href="#">Certificates</a></u> .....	<u>58</u>

# I. Einleitung

## Sicherheitsmaßnahme

### Vorsicht: Stromverletzungsgefahr

Vor der Manipulation an der Wärmepumpe müssen Sie stets die Anlage vom Netz abschalten und den hydraulischen Kreislauf ausschalten.

- Die Schwimmbecken-Wärmepumpe muss stets durch einen autorisierten Elektriker installiert werden.
- Installieren Sie den Stromschutzschalter mit einer Empfindlichkeit von 30A stets in den Verteiler vor die Wärmepumpe.
- Installieren Sie den Schutzschalter für alle aktiven Leiter stets in den Verteiler.
- Falls sich die Anlage ungewöhnlich verhält (Geräusch, Geruch, Rauch), schalten Sie sie von der Stromquelle ab und kontaktieren Sie den Verkäufer. Versuchen Sie nicht, das System selbst zu reparieren.
- Installieren Sie den Netzschalter fern von den Kindern.
- Rotierende Teile: Nehmen Sie nie das Gitter vom Ventilator ab. Legen Sie nie Finger oder andere Gegenstände in die Öffnungen der Luftzuführung oder -Ausführung der Wärmepumpe hinein.

## Wichtige Charakteristiken des Produktes

**Die Schwimmbecken-Wärmepumpe ist mit folgenden Schutzvorrichtungen ausgerüstet, die den Betrieb automatisch stoppen, damit die Anlage geschützt wird. Dabei erscheint eine Fehlermeldung an der LED-Bedienung.**

### **Durchflussschalter**

Die Kontakte des Wasserdurchflussschalters schalten sich ein, wenn es zum Wasserdurchfluss über den Titan-Wärmetauscher kommt. Bei einem niedrigen oder keinem Durchfluss bleiben diese Kontakte offen und infolgedessen schaltet sich die Anlage aus. Bei einem nicht ausreichenden Wasserdurchfluss erscheint die Meldung „EE3“ auf dem LED-Display.

### **Schalter für hohen/niedrigen Kühlmitteldruck**

- Der Hochdruckschalter liest den Kühlmitteldruck im Kühlsystem ab und schaltet die Wärmepumpe aus, wenn sie einen gefährlichen Betriebsdruck erreicht. Die Wärmepumpe wird automatisch resettiert, nachdem der Druck im System wieder auf einen normalen Betriebswert sinkt. Nach Abschaltung dieses Fühlers zeigt das Display „EEI“ an.
- Der Niederdruckschalter liest den Kühlmitteldruck im geschlossenen Kühlsystem ab, zum Schutz gegen einige Bedingungen, die die Lebensdauer des Kompressors verkürzen könnten. Der Fühler schaltet die Anlage im Falle eines Kühlmittelverlusts oder eines Kühlmittel Mangels aus. Der Schalter wird automatisch resettiert, sobald sich der Druck auf den normalen Betriebswert erhöht. Das Display zeigt die Meldung „EE2“ an.

### **Niedrige Umgebungstemperatur**

Bei niedrigen Temperaturen der Umgebungsluft schaltet sich die Pumpe aus, denn die Heizwirkung ist nicht mehr effektiv, in der Regel handelt es sich um eine Temperatur  $\leq 0^{\circ}\text{C}$ . (Die LED-Bedienung zeigt den Code „PP7“ an). Die Anlage schaltet sich erneut ein, sobald sich die Umgebungstemperatur erhöht.

### **Zeitverzögerung**

Alle Modelle arbeiten mit einer 3-Minuten-Verzögerung, die eine wiederholte Einschaltung des Kompressors der Wärmepumpe verhindert. Nach jeder Unterbrechung, ausgenommen den Energieverlust, entsteht maximal eine 3-minütige Zeitverzögerung.

## Spezifikation

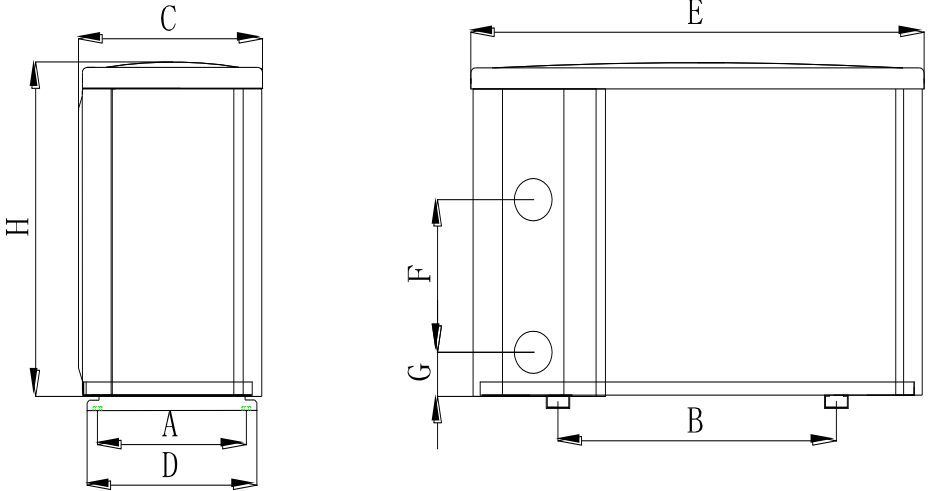
Series / Modell		PH / RH(C)25L	PH / RH(C)35L	PH / RH(C)50L	PH / RX(C)60Ls	PH / RX(C)65Ls	PH / RX(C)80Ls
<b>Leistungen</b>	Heizleistung (kW) (Luft 26°C, Wasser 26°C)	10	13.5	17.5	25	28	33
	COP (Luft 26°C, Wasser 26°C)	6.6	7	6.7	6.92	6.8	6.8
	Heizleistung (kW) (Luft 15°C, Wasser 26°C)	6.6	9.9	11.4	15.9	16.3	22.2
	COP (Luft 15°C, Wasser 26°C)	4.64	4.78	4.68	4.71	4.94	5.16
	Kühlleistung (kW) (Luft 35°C, Wasser 28°C)	6	8	10	15	16	20
	COP (Luft 35°C, Wasser 28°C)	4	4	3.8	4.2	4.2	4
	Speisung	230-240V/1Ph/50Hz			380-415V/3Ph/50Hz		
	Nennleistungsbedarf (kW)	1.4	2.1	2.4	3.4	3.3	4.3
	Nenneingangsstrom (A)	6.5	9.5	11.4	5.5	7.3	9.2
	Empf. Mindestdurchfluss (m³/h)	4-6	5-7	6.5-8.5	7-9	8-10	10-12
Rohrdimension für Wasserzuführung und Wasserabführung (mm)	50	50	50	50	50	50	
Nettogewicht / mit Zubehör (kg)	60/69	70/79	73/82	105/117	121/136	123/138	

### Hinweis:

1. Das Regime RH~ bedeutet lediglich die Heizung, RHC ist eine wählbare Heizung und Kühlung und S bedeutet einen Drei-Phasen-Betrieb. Für eine selbstständige Heizung ignorieren Sie bitte die Parameter der Kühlkapazität und des Koeffizienten, andere Parameter sind für den Heiz- sowie Kühltyp gleich.
2. Die Wärmepumpe arbeitet richtig bei Lufttemperaturen +0°C ~ 43°C. Außerhalb dieses Bereichs müssen die Umgebungsbedingungen berücksichtigt werden, damit ein geeignetes Regime (z. B. Anbringung/Standort, Schwimmbeckenvolumen und Anzahl der Badenden) gewählt wird.

3. Die o. g. Parameter unterliegen regelmäßigen Modifikationen zwecks technischer Verbesserung.

**Maße:**



Size(mm) Name Modell	A	B	C	D	E	F	G	H
RH(C)25L	392	590	382	420	961	280	74	658
RH(C)35L	392	590	382	420	961	310	74	658
RH(C)50L	392	590	382	420	961	310	74	658
RX(C)60Ls	380	719	391	420	1092	600	74	958
RX(C)65Ls	507	790	492	530	1160	620	84	958
RX(C)80Ls	507	790	492	530	1160	620	84	958

- Die o. g. Daten können ohne Anzeige geändert werden.

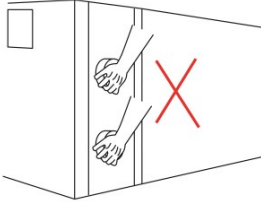
## II. Installationsanweisungen

**Vorsicht!**

Diese Schwimmbecken-Wärmepumpe muss durch ein Fachteam installiert werden.

## Richtige Transportart

1. Die Wärmepumpe muss in einer Originalverpackung transportiert werden.
2. Heben Sie die Wärmepumpe nicht mithilfe der Verschraubung des Wärmetauschers, da sich der Titan-Wärmetauscher auf der Seite der Anlage beschädigen könnte.



### **Vorsicht:**

*Heben Sie die Wärmepumpe nicht mithilfe des Austauscherstutzens (auch wenn es praktisch ist), denn der Austauscher könnte beschädigt werden.*

**Der Hersteller übernimmt keine Verantwortung für Beschädigungen oder notwendige Reparaturen infolge einer falschen Handhabung der Anlage.**

## Bestimmung einer optimalen Installationsposition

Die Unterbringung der Schwimmbecken-Wärmepumpe ist sehr wichtig für ein wirksames Funktionieren, also bei der Auswahl des richtigen Standortes sind folgende Faktoren zu berücksichtigen:

1. wie kann die Luftrückführung verhindert werden
2. einfacher Anschluss der Leiter, der Rohre (nicht länger als 10 Meter) im Abstand von der Wärmanlage zum Schwimmbecken.
3. einfache Wartung
4. Kondensatablauf

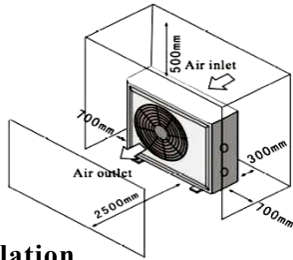
### **Beachten Sie folgende Punkte:**

1. Installieren Sie die Wärmepumpe **DRAUßEN** an einer gut belüfteten Stelle, damit es zu keiner Luftrückführung kommt. Oder bringen Sie die Anlage an einer Stelle unter, wo genug Platz für die Installation und Wartung ist.

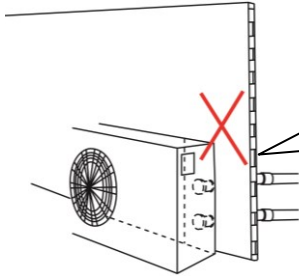
Siehe Schema:

*Es ist notwendig, den Mindestabstand von 300 mm von Mauer, Gebüsch, Einrichtung usw. rund um den ganzen Pumpenkreis einzuhalten. Dies garantiert genügend Luft. Der freie Abstand von mindestens 800 mm am Luftausgang ist dazu notwendig, dass eine Luftrückführung verhindert wird. Wir empfehlen, die Anlage nicht unter Dachrinnen, Terrassen, Vordächer anzubringen, da es hier zur Rückführung der abgelassenen Luft*

kommt, wodurch sich die Wirkung der Anlage reduzieren bzw. anhalten könnte.



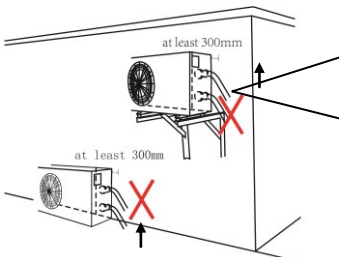
## Fehlerhafte Installation



### **Vorsicht:**

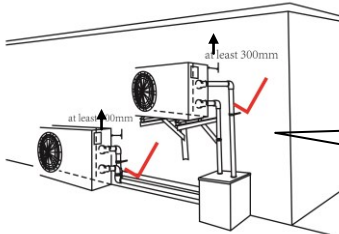
*Installieren Sie die Wärmepumpe nicht in der Nähe einer Wand oder Hecke! Und niemals innerhalb eines geschlossenen Gebäudes!*

2. Die Erwärmungsanlage sollte auf einer festen, ebenen und rostfreien Konstruktion angebracht werden, die in der Lage ist, das Gewicht der Wärmepumpe zu tragen. Sie muss mithilfe der Schrauben zum Betonfundament befestigt werden.



### **!!Vorsicht!**

*Bei der Installation an der Konsole darf die Wärmepumpe **nicht mit Schläuchen** angeschlossen werden, denn die Schrauben können nicht das Wassergewicht und das Gewicht der Schläuche tragen, wodurch eine Beschädigung des*



*Die Maschine muss stets mittels **eines Rohres**, und nicht eines Schlauches angeschlossen werden!*

3. Die Wärmepumpe sollte sich weit genug von sämtlichen Brennstoffquellen oder Korrosionsstoffen befinden, damit es zu keiner Beschädigung kommt.



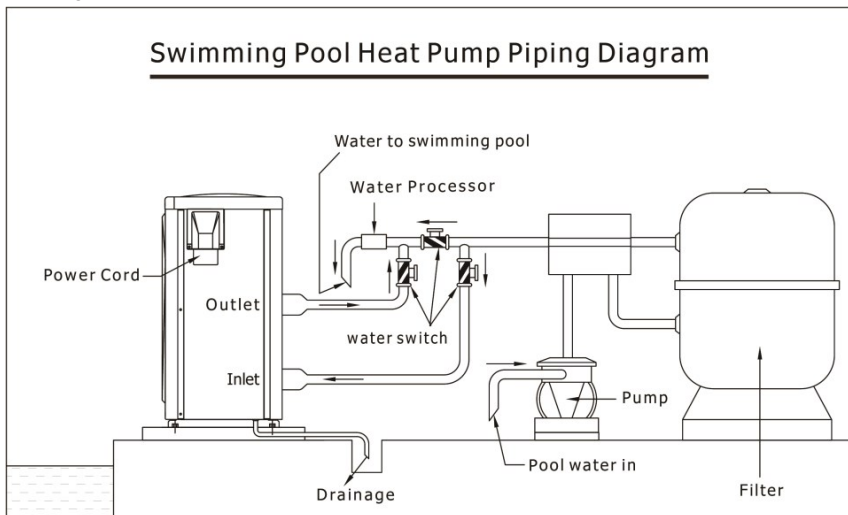
Bringen Sie die Wärmepumpe nie in die Nähe von Sprinklersystemen oder an Stellen an, wo es zur Ausdampfung von Sauer- oder alkalischen Gasen kommt. Wenn Sie an einer Seeküste leben, sollte sich die Wärmepumpe außerhalb der Reichweite von Sand und Salz befinden, denn es könnte zur Verstopfung, Beschädigung und Korrosion der Anlage kommen. Sie können eine Hecke oder einen Schutzzaun zwischen die Anlage und die Windrichtung anbringen.

4. Wenn die Anlage im Gang ist, wird das Kondenswasser abgelassen. Vergewissern Sie sich, dass Sie genug Platz für das Abpumpen des Wassers haben werden.

**TIPPS: WÄRMEPUMPEN BILDEN BEIM NORMALEN BETRIEB KONDENSWASSER, WAS JEDOCH NICHT MIT DURCHSICKERN VOM AUSTAUSCHER VERWECHSELT WERDEN SOLL.**

### Anschluss der Wasserleitung

- Der Durchfluss des Wassers durch die Anlage muss durch eine Zusatz-(Filtrations-)Pumpe gewährleistet werden (ist nicht Bestandteil der Wärmepumpe). Empfohlene Spezifikation - der Pumpendurchfluss ist in den technischen Angaben des Produktes angeführt und die maximale Überhöhung ist  $\geq 10$  m;
- Die Rohrlänge zwischen der Wärmepumpe und dem Schwimmbecken sollte nicht länger als 10 m sein.



Anmerkung: Das Schema ist nur ein Beispiel.

### Elektrischer Anschluss

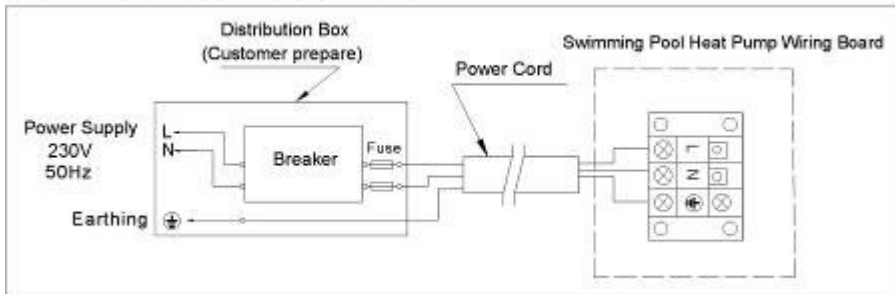
Die elektrische Installation muss durch einen Fachmann laut entsprechender

**Verordnung nach dem Kreis-Schema auf folgende Art und Weise durchgeführt werden:**

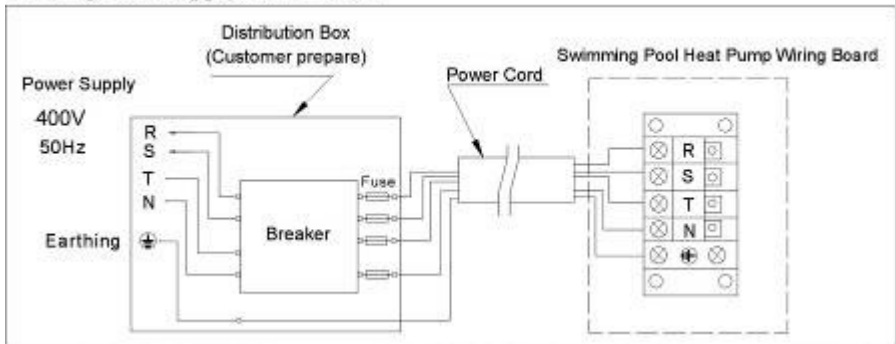
- Schließen Sie die Wärmepumpe an die entsprechende Energiequelle an, deren Spannung mit der Nennspannung jedes in der Spezifikation aufgeführten Typs übereinstimmen sollte.
- Vergewissern Sie sich, dass die Anlage richtig geerdet ist.
- Bringen Sie stets den Masseanschlussdraht in Übereinstimmung mit den lokalen Vorschriften für elektrische Installation (der Erdungsableitstrom ist  $\leq 30\text{mA}$ ) an.
- Schützen Sie den Kreis mit einem geeigneten Schutzschalter oder Sicherung (laut Tab. Seite 35).

Schema für den Einphasenanschluss

**A. For power supply: 230V 50Hz**



**B. For power supply: 400V 50Hz**



## Empfehlung für die Spezifikation der Schutzvorrichtungen und Kabel

※ Die o. g. Angaben können ohne Anzeige modifiziert werden.

Bemerkung: Die o. g. Angaben sind für das Starkstromkabel  $\leq 10$  m angepasst. Wenn das Starkstromanschlusskabel  $> 10$  m lang ist, ist es notwendig, den Drahtdurchmesser

MODELL		RH(C)25 L	RH(C)35 L	RH(C)50 L	RX(C)60Ls	RX(C)65Ls	RX(C)80Ls
Schutzschalter	Nennstrom (A)	15	20	25	15	15	20
	Nennreststrom (mA)	30	30	30	30	30	30
Schutzschalter D (A)		16	20	25	15	16	32
Starkstromkabel (mm <sup>2</sup> )		3×2.5	3×2.5	3×4	5*2.5	5×2.5	5×4
Signalkabel (mm <sup>2</sup> )		3×0.5	3×0.5	3×0.5	3*0.5	3×0.5	3×0.5

zu vergrößern. Das Signalkabel kann bis zu 50 m vergrößert werden.

### Probe vor der ersten Inbetriebnahme

#### Vorsicht:

Vor der Einschaltung der Wärmepumpe lassen Sie stets die Wasserpumpe an und schalten Sie die Wärmepumpe vor der Ausschaltung der Wasserpumpe aus.

#### Kontrolle vor dem Anschluss der Stromquelle

- Kontrollieren Sie die Installation der ganzen Anlage und die Rohrverbindungen laut dem Schema. Kontrollieren Sie den elektrischen Anschluss nach dem Diagramm der elektrischen Installation und erden Sie ihn richtig.
- Vergewissern Sie sich, dass die Öffnungen für die Luftzuführung und -Ausführung nicht blockiert werden, sonst würde sich die Wirkung der Wärmepumpe reduzieren oder sie könnte sogar beschädigt werden.

#### Kontrolle nach dem Anschluss der Stromquelle

- Schließen sie die Anlage an die Energiequelle an, danach zeigt die LED-Anzeige die entsprechenden Informationen an.

*(Einzelne Funktionen der LED-Bedienung siehe Kapitel „Betriebsanweisungen“)*

- Vor der Einschaltung der Anlage lassen Sie die Wasserpumpe an, damit es zu keiner Beschädigung kommt.
- Mit der Taste Power (on/off) (Ein/Aus) auf der LED-Anzeige schalten Sie die Anlage ein/aus.

- Während des ersten Starts der Anlage überprüfen Sie, ob kein Wasser durch die Rohrverbindungen durchsickert. Danach stellen Sie die entsprechende Temperatur ein.
- Nach dem Anlaufen der Anlage überprüfen Sie, ob kein ungewöhnliches Geräusch oder Geruch erscheint.

**In ungewöhnlichen Situationen, wie zu hohes Geräusch, Geruch oder Rauch, schalten Sie die Anlage sofort von der Quelle ab und informieren Sie den Verkäufer. Versuchen Sie nie, die Anlage selbst zu reparieren.**

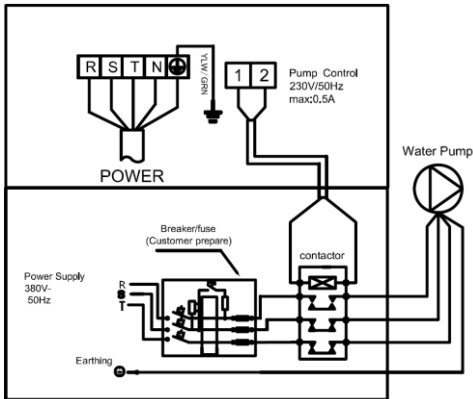
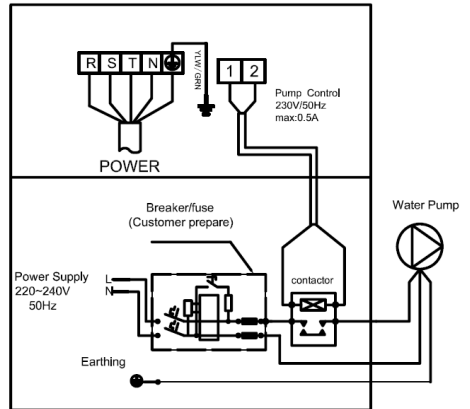
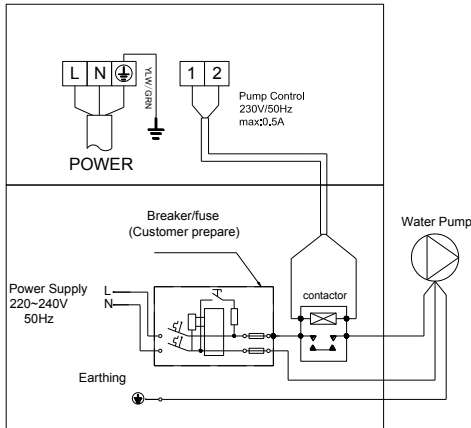
**Besondere Situationen:**

- Im Falle eines unerwarteten Stromausfalls führt die Wärmepumpe einen automatischen Restart durch. Kontrollieren Sie die Einstellung und passen Sie sie eventuell an.
- Im Falle eines unerwarteten Stromausfalls schalten Sie die Wärmepumpe aus. Nach der Erneuerung der Stromlieferung schalten Sie die Pumpe ein, überprüfen Sie die Einstellung und passen Sie sie eventuell an.
- Beim Gewitter schalten Sie die Pumpe aus und stellen Sie sie vom Stromnetz ab.

*Schematischer Anschluss*

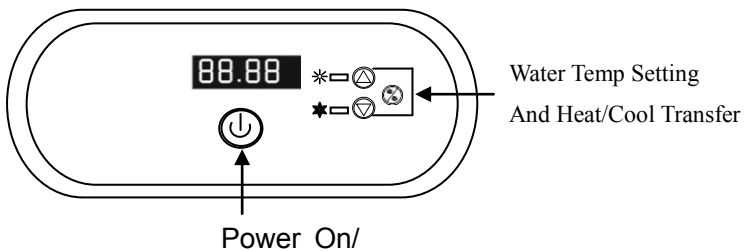


Ausgangsphase L<sub>1</sub> zur Bedienung der Schutzspule der Filtrationspumpe



### III. Betriebsanweisungen

#### LED-Bedienung





Ein/Ausschalten der Anlage



COOL Anzeige des Kühlregimes (nur bei Heiz/Kühltypen)



HEAT Anzeige des Heizregimes



MODE Taste für die Wahl des Heiz/Kühlregimes (nur bei Heiz/Kühltypen)



Down Einstellung der gewünschten Temperatur (nach unten)



UP Einstellung der gewünschten Temperatur (nach oben)



LED-Display zeigt die Temperatur und Störungscode der Anlage an

## Daueranzeige

Die Anzeige zeigt Wassertemperatur auch wenn die Wärmepumpe ausgeschaltet ist.

## Gewöhnliche Einstellung





### 1. Heiz/Kühlregime

Drücken Sie die Taste Mode für das Umschalten von einem Regime zum anderen.

*Zugänglich nur bei Heiz/Kühltypen.*

### 2. Gewünschte Temperatur des Schwimmbeckenwassers

*Sie kann bei eingeschalteter Anlage eingestellt werden.*

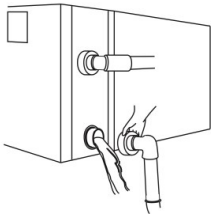
- A. Drücken Sie die Taste UP  oder DOWN  zur Einstellung der gewünschten Temperatur des Schwimmbeckenwassers.
- B. Die Zahlen auf dem LED-Bildschirm blinken während der Operation.
- C. Nach fünf Sekunden hören sie zu blinken auf, speichern sich und der LED-Bildschirm kehrt in die Daueranzeige zurück (angezeigt wird die aktuelle Wassertemperatur).
- D. Sie führen die Kontrolle der Temperatur durch die Betätigung der Taste UP  oder DOWN  durch.

## IV. Wartung

### Vorsicht: Stromverletzungsgefahr

„Schalten“ Sie die Wärmepumpe vom Stromnetz vor Durchführung jeder Reinigung, Inspektion oder Reparaturen ab.

- A. Im Winter, wenn Sie das Schwimmbecken nicht benutzen:
  1. schalten Sie die Anlage vom Stromnetz ab, damit sie nicht beschädigt wird;
  2. pumpen Sie das Wasser von der Anlage ab und



### !!Wichtig:

Schrauben Sie die Überwirmuttern des Zuführungs- und Ausführungsrohrs ab, damit das Wasser auslaufen kann.

*Wenn das Wasser in der Anlage im Winter einfriert, kann der Titan-Wärmetauscher beschädigt werden.*

3. decken Sie die Anlage ab, wenn sie außer Betrieb ist.
- B. Reinigen Sie bitte diese Anlage mit Haushaltsreinigungsmitteln oder mit reinem Wasser, aber verwenden Sie **NIEMALS** Benzin, Lösungsmittel oder ähnliche Stoffe.
  - C. Kontrollieren Sie regelmäßig die Schrauben, Kabel und Anschlussteile.

## *V. Lösungen der Probleme*

### *Übliche Störungen*

	<b>Erscheinung</b>	<b>Mögliche Ursache</b>
<b>Es handelt sich nicht um eine Störung</b>	<p>A. Auffälliger Dampf aus Kaltluft oder Wasser.</p> <p>B. Plumpsgeräusch</p>	<p>A. Der Ventilatormotor schaltet sich automatisch zwecks Entfrostung aus.</p> <p>B. Es ist ein Geräusch vom Solenoidventil, wenn die Anlage startet oder sich ausschaltet, zwecks Entfrostung.</p> <p>C. Während des Maschinenbetriebs oder bei Ausschaltung erscheint ein Geräusch als Wasserdurchfluss, 2~3 Minuten nach dem Anlagenstart. Dieses Geräusch kommt vom durchlaufenden Kühlmittel oder vom Wasserablass während der Entfeuchtung.</p> <p>D. Das Plumpsgeräusch während des Betriebes wird durch die Ausdehnung bei Erwärmung und durch die Schrumpfung beim Abkühlen des Wärmetauschers verursacht, wenn sich die Temperaturen ändern.</p>
<b>Überprüfung</b>	<p>Die Wärmepumpe arbeitet nicht.</p>	<p>A. Kein Strom</p> <p>B. Überprüfen Sie, ob der manuelle Stromschalter eingeschaltet ist.</p> <p>C. Abgebrannte Sicherung</p> <p>D. Wenn das Display funktioniert, überprüfen Sie den Störungscode.</p> <p>E. Überprüfen Sie, ob die automatische Ein- oder Ausschaltung eingestellt wurde.</p>
	<p>Die Pumpe arbeitet, aber sie heizt und kühlt nicht.</p>	<p>Überprüfen Sie, ob die Öffnungen für Luftzuführung und -Abführung an der Anlage nicht blockiert sind.</p>

**Hinweis:** Wenn folgende Bedingungen eintreten, schalten Sie bitte die Anlage aus und schalten Sie sie sofort vom Stromnetz ab. Danach kontaktieren Sie den Verkäufer.



## Störungscode

Nr.	Störungs-Code	Störungsbeschreibung	Vorgehen
1	EE 1	Kühlmittel-Hochdruckschutz	Kontaktieren sie den Verkäufer.
2	EE 2	Kühlmittel-Niederdruckschutz	Kontaktieren Sie den Verkäufer.
3	EE 3	Schutz gegen zu niedrigen Wasserdurchfluss	1. Überprüfen Sie, ob Wasser durch die Anlage läuft, vergewissern Sie sich, dass die Pumpe eingeschaltet ist. 2. Spülen Sie die Filtration durch.
4	EE 4	A. Einphasen-Anlage: Störung der Klemme an PROT2 des elektronischen Paneels B. Dreiphasen-Anlage: 3-Phasen-Sequenzschutz	Kontaktieren Sie einen autorisierten Elektriker
5	PP 1	Störung des Wassertemperaturfühlers	Kontaktieren Sie den Verkäufer.
6	PP 2	a. Typ nur mit Erwärmung: Störung des Absaugtemperaturfühlers b. Typ mit Erwärmung und Kühlung: Störung des Kühlrohr-Temperaturfühlers	Kontaktieren Sie den Verkäufer.
7	PP 3	Störung des Heiztemperaturfühlers	Kontaktieren Sie den Verkäufer.
8	PP 4	Rückgastemperaturfühler	Kontaktieren Sie den Verkäufer.
9	PP 5	Lufttemperaturfühler	Kontaktieren Sie den Verkäufer.
10	PP 6	Schutz gegen Überlastung des Kompressorausdrucks	Kontaktieren Sie den Verkäufer.
11	PP 7	Bei Temperatur weniger als 0°C kommt es zur automatischen Ausschaltung (es handelt sich nicht um eine Störung)	Automatischer Anlagenschutz
12	EE8/ 8888 Verwirrungs-Code	Kommunikationsversagen - überprüfen Sie den Bedienungsanschluss	Kontaktieren Sie den Verkäufer.

## VI. TÜV-Konformitätserklärung

Wir, FAIRLAND ELECTRIC (CHINA) LIMITED, erklären in alleiniger Verantwortung, dass unsere an die Fa. Vagnerpool s.r.o. gelieferten Produkte stellen Äquivalente Typen in Hinsicht auf die unten erwähnten Produkte von Fairland dar. Die Nennkapazität und C.O.P. der unten erwähnten Typen sind durch TÜV Rheinland unter Lufttemperatur 15°C und Wassertemperatur 26°C geprüft worden.

Produkt: Heizungspumpe für Schwimmbecken

Bezugszeichen von Vagnerpool	Bezugszeichen von Fairland	TÜV Prüfbericht Nr.
RH(C)25L	PH(C)25L	16038689 002
RH(C)35L	PH(C)35L	16038689 003
RH(C)50L	PH(C)50L	16038689 004
RX(C)60Ls	PH(C)60Ls	16038689 013
RX(C)65Ls	PH(C)65Ls	16038689 006
RX(C)80Ls	PH(C)80Ls	16038689 007

Datum: 3. Dezember 2013

Geschäftsführer:

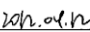
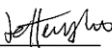
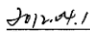
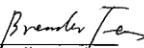
Ort: Guangdong, China


Unterschrift:

A rectangular box containing a handwritten signature in blue ink and a circular blue stamp. The stamp contains the text 'FAIRLAND ELECTRIC (CHINA) LIMITED' around the perimeter and '菲亞蘭德電氣(中國)有限公司' in the center.


Notes:



<b>Prüfbericht - Nr.:</b> 16038689 002		Seite 1 von 30	
Test Report No.:		Page 1 of 30	
<b>Auftraggeber:</b>	FAIRLAND ELECTRIC CO., LTD.		
Client:	Gaocun Ind. Zone, Beijiao Town, Shunde District Foshan City, Guangdong Province 528311, P. R. China		
<b>Gegenstand der Prüfung:</b>	Swimming pool heat pump		
Test item:			
<b>Bezeichnung:</b>	PH25L, PHC25L, THP10L,	<b>Serien-Nr.:</b>	Engineering Samples
Identification:	THCP10L	Serial No.:	
<b>Wareneingangs-Nr.:</b>	173064697	<b>Eingangsdatum:</b>	2012-02-27
Receipt No.:		Date of receipt:	
<b>Zustand des Prüfgegenstandes bei Anlieferung:</b>	Good for checking and testing		
Condition of test item at delivery:			
<b>Prüft:</b>	FAIRLAND ELECTRIC CO., LTD.		
Testing location:	Gaocun Ind. Zone, Beijiao Town, Shunde District Foshan City, Guangdong Province 528311, P. R. China		
<b>Prüfgrundlage:</b>	EN 14511-1: 2011	EN 14511-3: 2011	
Test specification:	EN 14511-2: 2011	EN 14511-4: 2011	
<b>Prüfergebnis:</b>	Der Prüfgegenstand entspricht oben genannter Prüfgrundlage(n).		
Test Result:	The test item passed the test specification(s).		
<b>Prüflaboratorium:</b>	TÜV Rheinland (Guangdong) Ltd.		
Testing Laboratory:			
<b>geprüft/ tested by:</b>	<b>kontrolliert/ reviewed by:</b>		
 Jeffery Luo		 Brenda Fan	
Datum Date	Name/Stellung Name/Position	Unterschrift Signature	Datum Date
<b>Sonstiges/ Other Aspects:</b>			
<b>Remark:</b> According to the client's requirement, this report is only for evaluate the heating capacity and COP data listed on manufacturer's data sheet.			
<b>Abkürzungen:</b>	P(ass) = entspricht Prüfgrundlage F(ail) = entspricht nicht Prüfgrundlage N/A = nicht anwendbar NT = nicht getestet	<b>Abbreviations:</b>	P(ass) = passed F(ail) = failed N/A = not applicable NT = not tested
<b>Dieser Prüfbericht bezieht sich nur auf das o.g. Prüfmuster und darf ohne Genehmigung der Prüfstelle nicht auszugsweise vervielfältigt werden. Dieser Bericht berechtigt nicht zur Verwendung eines Prüfzeichens.</b> This test report relates to the a. m. test item. Without permission of the test center this test report is not permitted to be duplicated in extracts. This test report does not entitle to carry any safety mark on this or similar products.			


Test item particulars:						
Class of protection ..... Class I						
Degree of protection ..... IPX4						
Possible test case verdicts:						
- test case does not apply to the test object ..... N(A.)						
- test object does meet the requirement ..... P(ass)						
- test object does not meet the requirement ..... F(all)						
<b>Summary of testing</b>						
<ol style="list-style-type: none"> <li>1. Tests were performed according to the standard EN 14511:2011.</li> <li>2. The model PH25L was selected as representative model.</li> <li>3. According to the client's requirement, one special test condition was considered in this report. For detail of test condition can refer to appended table.</li> </ol>						
<b>General product information</b>						
<ul style="list-style-type: none"> <li>➤ This appliance is swimming pool heat pump for heating the water of the swimming pool.</li> <li>➤ The main power is supplied to main unit via a 3- pole supply cord and permanently connected to fixed wiring. The specification of the power cord is stated on user manual.</li> <li>➤ The unit is equipped with LED controller.</li> </ul>						
<b>Model list:</b>						
Model	Rated Heating Capacity(kW)		Rated Power input (kW)	Rated cooling capacity (kW) A35°C/ W28°C	Remark	Trade mark
	A26°C/ W26°C	A15°C/ W26°C				
PH25L	10,0	6,70	1,44	-	Heating only	
PHC25L	10,0	6,70	1,44	6,00	Heating/Cooling	
THP10L	10,0	6,70	1,44	-	Heating only	
THCP10L	10,0	6,70	1,44	6,00	Heating/Cooling	
Model difference:						
<ol style="list-style-type: none"> <li>1. PH25L, THP10L are identical with PHC25L, THCP10L respectively except that PH25L, THP10L can only operate in heating mode, PHC25L, THCP10L can operate in cooling and heating mode.</li> <li>2. PH25L, PHC25L are identical with THP10L, THCP10L respectively except model name.</li> </ol>						

<b>Prüfbericht - Nr.: 16038689 003</b>		Seite 1 von 30	
Test Report No.:		Page 1 of 30	
<b>Auftraggeber:</b> Client:	<b>FAIRLAND ELECTRIC CO., LTD.</b> Gaocun Ind. Zone, Beijiao Town, Shunde District Foshan City, Guangdong Province 528311, P. R. China		
<b>Gegenstand der Prüfung:</b> Test item:	Swimming pool heat pump		
<b>Bezeichnung:</b> Identification:	PH35L, PHC35L, THP13L, THCP13L	<b>Serien-Nr.:</b> Serial No.:	Engineering Samples
<b>Wareingangs-Nr.:</b> Receipt No.:	173064697	<b>Eingangsdatum:</b> Date of receipt:	2012-02-27
<b>Zustand des Prüfgegenstandes bei Anlieferung:</b> Condition of test item at delivery:		Good for checking and testing	
<b>Prüft:</b> Testing location:	<b>FAIRLAND ELECTRIC CO., LTD.</b> Gaocun Ind. Zone, Beijiao Town, Shunde District Foshan City, Guangdong Province 528311, P. R. China		
<b>Prüfgrundlage:</b> Test specification:	EN 14511-1: 2011 EN 14511-2: 2011	EN 14511-3: 2011 EN 14511-4: 2011	
<b>Prüfergebnis:</b> Test Result:	<b>Der Prüfgegenstand entspricht oben genannter Prüfgrundlage(n).</b> The test item passed the test specification(s).		
<b>Prüflaboratorium:</b> Testing Laboratory:	TÜV Rheinland (Guangdong) Ltd.		
<b>geprüft/ tested by:</b>	<b>kontrolliert/ reviewed by:</b>		
<i>2012.02.27</i> Jeffrey Luo Datum Date	<i>Jeffery Luo</i> Name/Stellung Name/Position	<i>Jeffery Luo</i> Unterschrift Signature	<i>2012.02.27</i> Brenda Fan Datum Date
			<i>Brenda Fan</i> Name/Stellung Name/Position
			<i>Brenda Fan</i> Unterschrift Signature
<b>Sonstiges/ Other Aspects:</b>			
<b>Remark:</b> According to the client's requirement, this report is only for evaluate the heating capacity and COP data listed on manufacturer's data sheet.			
<b>Abkürzungen:</b> P(ass) = entspricht Prüfgrundlage F(ail) = entspricht nicht Prüfgrundlage N/A = nicht anwendbar NT = nicht getestet		<b>Abbreviations:</b> P(ass) = passed F(ail) = failed N/A = not applicable NT = not tested	
Dieser Prüfbericht bezieht sich nur auf das o.g. Prüfmuster und darf ohne Genehmigung der Prüfstelle nicht auszugsweise vervielfältigt werden. Dieser Bericht berechtigt nicht zur Verwendung eines Prüfzeichens. This test report relates to the a. m. test item. Without permission of the test center this test report is not permitted to be duplicated in extracts. This test report does not entitle to carry any safety mark on this or similar products.			

<b>Test item particulars:</b>						
Class of protection ..... Class I						
Degree of protection ..... IPX4						
<b>Possible test case verdicts:</b>						
- test case does not apply to the test object ..... N(A.)						
- test object does meet the requirement ..... P(ass)						
- test object does not meet the requirement ..... F(all)						
<b>Summary of testing</b>						
<ol style="list-style-type: none"> <li>1. Tests were performed according to the standard EN 14511:2011.</li> <li>2. The model PH35L was selected as representative model.</li> <li>3. According to the client's requirement, one special test condition was considered in this report. For detail of test condition can refer to appended table.</li> </ol>						
<b>General product information</b>						
<ul style="list-style-type: none"> <li>&gt; This appliance is swimming pool heat pump for heating the water of the swimming pool.</li> <li>&gt; The main power is supplied to main unit via a 3- pole supply cord and permanently connected to fixed wiring. The specification of the power cord is stated on user manual.</li> <li>&gt; The unit is equipped with LED controller.</li> </ul>						
<b>Model list:</b>						
Model	Rated Heating Capacity(kW)		Rated Power Input (kW)	Rated cooling capacity (kW) A35°C/ W28°C	Remark	Trade mark
	A26°C/ W26°C	A15°C/ W26°C				
PH35L	13,5	9,80	2,10	-	Heating only	
PHC35L	13,5	9,80	2,10	8,00	Heating/Cooling	
THP13L	13,5	9,80	2,10	-	Heating only	
THCP13L	13,5	9,80	2,10	8,00	Heating/Cooling	
<b>Model difference:</b>						
<ol style="list-style-type: none"> <li>1. PH35L, THP13L are identical with PHC35L, THCP13L respectively except that PH35L, THP13L can only operate in heating mode, PHC35L, THCP13L can operate in cooling and heating mode.</li> <li>2. PH35L, PHC35L are identical with THP13L, THCP13L respectively except model name.</li> </ol>						

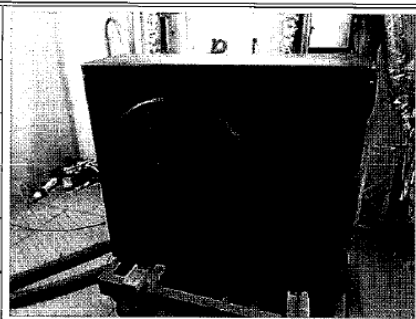


<b>Prüfbericht - Nr.:</b> 16038689 004		Seite 1 von 30	
Test Report No.:		Page 1 of 30	
<b>Auftraggeber:</b> Client:	FAIRLAND ELECTRIC CO., LTD. Gaocun Ind. Zone, Beijiao Town, Shunde District Foshan City, Guangdong Province 528311, P. R. China		
<b>Gegenstand der Prüfung:</b> Test item:	Swimming pool heat pump		
<b>Bezeichnung:</b> Identification:	PH50L, PHC50L, THP17L, THCP17L	<b>Serien-Nr.:</b> Serial No.:	Engineering Samples
<b>Wareneingangs-Nr.:</b> Receipt No.:	173064697	<b>Eingangsdatum:</b> Date of receipt:	2012-02-27
<b>Zustand des Prüfgegenstandes bei Anlieferung:</b> Good for checking and testing <b>Condition of test item at delivery:</b>			
<b>Prüfort:</b> Testing location:	FAIRLAND ELECTRIC CO., LTD. Gaocun Ind. Zone, Beijiao Town, Shunde District Foshan City, Guangdong Province 528311, P. R. China		
<b>Prüfgrundlage:</b> Test specification:	EN 14511-1: 2011 EN 14511-2: 2011	EN 14511-3: 2011 EN 14511-4: 2011	
<b>Prüfergebnis:</b> Test Result:	Der Prüfgegenstand entspricht oben genannter Prüfgrundlage(n). The test item passed the test specification(s).		
<b>Prüflaboratorium:</b> Testing Laboratory:	TÜV Rheinland (Guangdong) Ltd.		
<b>geprüft/ tested by:</b>	<b>kontrolliert/ reviewed by:</b>		
<i>2012.02.27</i> Jeffery Luo Datum Date	<i>Jeffery Luo</i> Name/Stellung Name/Position	<i>2012.04.12</i> Brenda Fan Datum Date	<i>Brenda Fan</i> Name/Stellung Name/Position
	<i>Jeffery Luo</i> Unterschrift Signature		<i>Brenda Fan</i> Unterschrift Signature
<b>Sonstiges/ Other Aspects:</b>			
<b>Remark:</b> According to the client's requirement, this report is only for evaluate the heating capacity and COP data listed on manufacturer's data sheet.			
<b>Abkürzungen:</b> P(ass) = entspricht Prüfgrundlage F(ail) = entspricht nicht Prüfgrundlage N/A = nicht anwendbar NT = nicht getestet		<b>Abbreviations:</b> P(ass) = passed F(ail) = failed N/A = not applicable NT = not tested	
<b>Dieser Prüfbericht bezieht sich nur auf das o.g. Prüfmuster und darf ohne Genehmigung der Prüfstelle nicht auszugsweise vervielfältigt werden. Dieser Bericht berechtigt nicht zur Verwendung eines Prüfzeichens.</b> <i>This test report relates to the a. m. test item. Without permission of the test center this test report is not permitted to be duplicated in extracts. This test report does not entitle to carry any safety mark on this or similar products.</i>			

Test item particulars:						
Class of protection ..... Class I						
Degree of protection ..... IPX4						
Possible test case verdicts:						
- test case does not apply to the test object ..... N(A.)						
- test object does meet the requirement ..... P(ass)						
- test object does not meet the requirement ..... F(all)						
<b>Summary of testing</b>						
<ol style="list-style-type: none"> <li>1. Tests were performed according to the standard EN 14511:2011.</li> <li>2. The model PH50L was selected as representative model.</li> <li>3. According to the client's requirement, one special test condition was considered in this report. For detail of test condition can refer to appended table.</li> </ol>						
<b>General product information</b>						
<ul style="list-style-type: none"> <li>➤ This appliance is swimming pool heat pump for heating the water of the swimming pool.</li> <li>➤ The main power is supplied to main unit via a 3- pole supply cord and permanently connected to fixed wiring. The specification of the power cord is stated on user manual.</li> <li>➤ The unit is equipped with LED controller.</li> </ul>						
<b>Model list:</b>						
Model	Rated Heating Capacity(kW)		Rated Power Input (kW)	Rated cooling capacity (kW) A35°C/ W28°C	Remark	Trade mark
	A26°C/ W26°C	A15°C/ W26°C				
PH50L	17,5	11,5	2,47	-	Heating only	
PHC50L	17,5	11,5	2,47	10,0	Heating/Cooling	
THP17L	17,5	11,5	2,47	-	Heating only	
THCP17L	17,5	11,5	2,47	10,0	Heating/Cooling	
Model difference:						
<ol style="list-style-type: none"> <li>1. PH50L, THP17L are identical with PHC50L, THCP17L respectively except that PH50L, THP17L can only operate in heating mode, PHC50L, THCP17L can operate in cooling and heating mode.</li> <li>2. PH50L, PHC50L are identical with THP17L, THCP17L respectively except model name.</li> </ol>						

<b>Prüfbericht-Nr.:</b> <i>Test Report No.:</i>	<b>16038689 013</b>	<b>Auftrags-Nr.:</b> <i>Order No.:</i>	<b>174017274</b>	Seite 1 von 31 Page 1 of 31
<b>Kunden-Referenz-Nr.:</b> <i>Client Reference No.:</i>	<b>N/A</b>	<b>Auftragsdatum:</b> <i>Order date:</i>	<b>12.12.2013</b>	
<b>Auftraggeber:</b> <i>Client:</i>	<b>FAIRLAND ELECTRIC CO., LTD., Gaocun Ind. Zone, Beijiao Town, Shunde District Foshan City, Guangdong Province 528311, P. R. China</b>			
<b>Prüfgegenstand:</b> <i>Test item:</i>	<b>Swimming pool heat pump</b>			
<b>Bezeichnung / Typ-Nr.:</b> <i>Identification / Type No.:</i>	<b>PH60Ls, PHC60Ls, THP25Ls, THCP25Ls</b>			
<b>Auftrags-Inhalt:</b> <i>Order content:</i>	<b>Energy test</b>			
<b>Prüfgrundlage:</b> <i>Test specification:</i>	<b>EN 14511-1: 2013</b>		<b>EN 14511-3: 2013</b>	
	<b>EN 14511-2: 2013</b>		<b>EN 14511-4: 2013</b>	

<b>Wareneingangsdatum:</b> <i>Date of receipt:</i>	<b>12.12.2013</b>
<b>Prüfmuster-Nr.:</b> <i>Test sample No.:</i>	<b>Engineering samples</b>
<b>Prüfzeitraum:</b> <i>Testing period:</i>	<b>06.12.2013 – 12.12.2013</b>
<b>Ort der Prüfung:</b> <i>Place of testing:</i>	<b>TÜV Rheinland (Guangdong) Ltd.</b>
<b>Prüflaboratorium:</b> <i>Testing laboratory:</i>	<b>FAIRLAND ELECTRIC CO., LTD.</b>
<b>Prüfergebnis*:</b> <i>Test result*:</i>	<b>Pass</b>



<b>geprüft von / tested by:</b>	<b>kontrolliert von / reviewed by:</b>
<p><i>2014.01.02</i> David Chen <i>David Chen</i></p> <p>Datum Name / Stellung Unterschrift Date Name / Position Signature</p>	<p><i>2014.01.09</i> Brenda Fan <i>Brenda Fan</i></p> <p>Datum Name / Stellung Unterschrift Date Name / Position Signature</p>

**Sonstiges / Other:**  
Remark: According to the client's requirement, this report is only for evaluate the heating capacity and COP data listed on manufacturer's data sheet.  
Attachment 1: 1 page of test equipment.

**Zustand des Prüfgegenstandes bei Anlieferung:** Prüfmuster vollständig und unbeschädigt  
*Condition of the test item at delivery:* *Test item complete and undamaged*

<b>Legende:</b> 1 = sehr gut P(pass) = entspricht o.g. Prüfgrundlage(n)	2 = gut F(fail) = entspricht nicht o.g. Prüfgrundlage(n)	3 = befriedigend 3 = satisfactory	4 = ausreichend 4 = sufficient	5 = mangelhaft 5 = poor
<b>Legend:</b> 1 = very good P(pass) = passed a.m. test specification(s)	2 = good F(fail) = failed a.m. test specification(s)	3 = satisfactory	4 = sufficient N/A = not applicable	5 = poor N/T = not tested

**Dieser Prüfbericht bezieht sich nur auf das o.g. Prüfmuster und darf ohne Genehmigung der Prüfstelle nicht auszugsweise vervielfältigt werden. Dieser Bericht berechtigt nicht zur Verwendung eines Prüfzeichens.**  
*This test report only relates to the a. m. test sample. Without permission of the test center this test report is not permitted to be duplicated in extracts. This test report does not entitle to carry any test mark.*

104

Test item particulars:
Class of protection ..... Class I
Degree of protection..... IPX4
Possible test case verdicts:
- test case does not apply to the test object ..... N(.A.)
- test object does meet the requirement ..... P(ass)
- test object does not meet the requirement..... F(all)

#### Summary of testing

1. Tests were performed according to the standard EN 14511:2011.
2. The model PH60Ls was selected as representative model.
3. According to the client's requirement, special test condition for heating mode was considered in this report. For detail of test condition can refer to appendec table.
4. According to the client's requirement, water flow rate on heating capacity of PH60Ls was 6,35m<sup>3</sup>/h.

#### General product information

- This appliance is swimming pool heat pump for heating the water of the swimming pool.
- For three phase appliance, the main power is supplied to main unit via a 3 phase 5-pole supply cord and permanently connected to fixed wiring. The specification of the power cord is stated on user manual.


#### Model list:

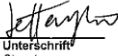

Model	Rated Heating Capacity(kW)		Rated Power Input (kW)	Rated voltage	Refrigerant amount
	A26°C/ W26°C	A15°C/ W26°C			
PH60Ls	25,0	16,0	3,50	380-415V, 3N~, 50Hz	R410A, 2,5Kg
PHC60Ls	25,0	16,0	3,50	380-415V, 3N~, 50Hz	R410A, 2,5Kg
THP25Ls	25,0	16,0	3,50	380-415V, 3N~, 50Hz	R410A, 2,5Kg
THCP25Ls	25,0	16,0	3,50	380-415V, 3N~, 50Hz	R410A, 2,5Kg


#### Model difference:

PH60Ls, PHC60Ls, THP25Ls and THCP25Ls are identical to each other except for model name.

<b>Prüfbericht - Nr.:</b> 16038689 006 <i>Test Report No.:</i>		Seite 1 von 30 Page 1 of 30	
<b>Auftraggeber:</b> FAIRLAND ELECTRIC CO., LTD. <i>Client:</i>		Gaocun Ind. Zone, Beijiao Town, Shunde District Foshan City, Guangdong Province 528311, P. R. China	
<b>Gegenstand der Prüfung:</b> Swimming pool heat pump <i>Test item:</i>			
<b>Bezeichnung:</b> PH65Ls, PHC65Ls, THP26Ls, THCP26Ls <i>Identification:</i>		<b>Serien-Nr.:</b> Engineering Samples <i>Serial No.:</i>	
<b>Wareneingangs-Nr.:</b> 173064697 <i>Receipt No.:</i>		<b>Eingangsdatum:</b> 2012-02-27 <i>Date of receipt:</i>	
<b>Zustand des Prüfgegenstandes bei Anlieferung:</b> Good for checking and testing <b>Condition of test item at delivery:</b>			
<b>Prüfort:</b> FAIRLAND ELECTRIC CO., LTD. <i>Testing location:</i>		Gaocun Ind. Zone, Beijiao Town, Shunde District Foshan City, Guangdong Province 528311, P. R. China	
<b>Prüfgrundlage:</b> EN 14511-1: 2011 <i>Test specification:</i>		EN 14511-3: 2011 EN 14511-2: 2011 EN 14511-4: 2011	
<b>Prüfergebnis:</b> Der Prüfgegenstand entspricht oben genannter Prüfgrundlage(n). <i>Test Result:</i>		The test item passed the test specification(s).	
<b>Prüflaboratorium:</b> TÜV Rheinland (Guangdong) Ltd. <i>Testing Laboratory:</i>			
<b>geprüft/ tested by:</b>		<b>kontrolliert/ reviewed by:</b>	
2012.02.27 Jeffery Luo <i>Date Name/Position</i>		2012.02.27 Brenda Fan <i>Date Name/Position</i>	
<i>Unterschrift</i> <i>Signature</i>		<i>Unterschrift</i> <i>Signature</i>	
<b>Sonstiges/ Other Aspects:</b>			
<b>Remark:</b> According to the client's requirement, this report is only for evaluate the heating capacity and COP data listed on manufacturer's data sheet.			
<b>Abkürzungen:</b> P(ass) = entspricht Prüfgrundlage F(ail) = entspricht nicht Prüfgrundlage N/A = nicht anwendbar NT = nicht getestet		<b>Abbreviations:</b> P(ass) = passed F(ail) = failed N/A = not applicable NT = not tested	
Dieser Prüfbericht bezieht sich nur auf das o.g. Prüfmuster und darf ohne Genehmigung der Prüfstelle nicht auszugswise vervielfältigt werden. Dieser Bericht berechtigt nicht zur Verwendung eines Prüfzeichens. <i>This test report relates to the a. m. test item. Without permission of the test center this test report is not permitted to be duplicated in extracts. This test report does not entitle to carry any safety mark on this or similar products.</i>			

Test item particulars:						
Class of protection ..... Class I						
Degree of protection ..... IPX4						
Possible test case verdicts:						
- test case does not apply to the test object ..... N(.A.)						
- test object does meet the requirement ..... P(ass)						
- test object does not meet the requirement ..... F(all)						
<b>Summary of testing</b>						
<ol style="list-style-type: none"> <li>1. Tests were performed according to the standard EN 14511:2011.</li> <li>2. The model PH65Ls was selected as representative model.</li> <li>3. According to the client's requirement, one special test condition was considered in this report. For detail of test condition can refer to appended table.</li> </ol>						
<b>General product information</b>						
<ul style="list-style-type: none"> <li>➤ This appliance is swimming pool heat pump for heating the water of the swimming pool.</li> <li>➤ The main power is supplied to main unit via a 3 phase 5-pole supply cord and permanently connected to fixed wiring. The specification of the power cord is stated on user manual.</li> <li>➤ The unit is equipped with LED controller.</li> </ul>						
<b>Model list:</b>						
Model	Rated Heating Capacity(kW)		Rated Power Input (kW)	Rated cooling capacity (kW) A35°C/ W28°C	Remark	Trade mark
	A26°C/ W26°C	A15°C/ W26°C				
PH65Ls	28,0	17,0	3,60	-	Heating only	
PHC65Ls	28,0	17,0	3,60	15,1	Heating/Cooling	
THP26Ls	28,0	17,0	3,60	-	Heating only	
THCP26Ls	28,0	17,0	3,60	15,1	Heating/Cooling	
<b>Model difference:</b>						
<ol style="list-style-type: none"> <li>1. PH65Ls, THP26Ls are identical with PHC65Ls, THCP26Ls respectively except that PH65Ls, THP26Ls can only operate in heating mode, PHC65Ls, THCP26Ls can operate in cooling and heating mode.</li> <li>2. PH65Ls, PHC65Ls are identical with THP26Ls, THCP26Ls respectively except model name.</li> </ol>						

<b>Prüfbericht - Nr.:</b> 16038689 007		<b>Seite 1 von 30</b>	
<i>Test Report No.:</i>		<i>Page 1 of 30</i>	
<b>Auftraggeber:</b>	FAIRLAND ELECTRIC CO., LTD.		
<i>Client:</i>	Gaocun Ind. Zone, Beijiao Town, Shunde District Foshan City, Guangdong Province 528311, P. R. China		
<b>Gegenstand der Prüfung:</b>	Swimming pool heat pump		
<i>Test item:</i>			
<b>Bezeichnung:</b>	PH80Ls, PHC80Ls, THP28Ls,	<b>Serien-Nr.:</b>	Engineering Samples
<i>Identification:</i>	THCP28Ls	<i>Serial No.:</i>	
<b>Wareingangs-Nr.:</b>	173064697	<b>Eingangsdatum:</b>	2012-02-27
<i>Receipt No.:</i>		<i>Date of receipt:</i>	
<b>Zustand des Prüfgegenstandes bei Anlieferung:</b>	Good for checking and testing		
<b>Condition of test item at delivery:</b>			
<b>Prüfort:</b>	FAIRLAND ELECTRIC CO., LTD.		
<i>Testing location:</i>	Gaocun Ind. Zone, Beijiao Town, Shunde District Foshan City, Guangdong Province 528311, P. R. China		
<b>Prüfgrundlage:</b>	EN 14511-1: 2011	EN 14511-3: 2011	
<i>Test specification:</i>	EN 14511-2: 2011	EN 14511-4: 2011	
<b>Prüfergebnis:</b>	Der Prüfgegenstand entspricht oben genannter Prüfgrundlage(n).		
<i>Test Result:</i>	The test item passed the test specification(s).		
<b>Prüflaboratorium:</b>	TÜV Rheinland (Guangdong) Ltd.		
<i>Testing Laboratory:</i>			
<b>geprüft/ tested by:</b>	<b>kontrolliert/ reviewed by:</b>		
<i>2012.02.27</i>	Jeffery Luo		<i>2012.02.27</i>
<i>2012.02.27</i>	Brenda Fan		
<i>Date</i>	<i>Name/Position</i>	<i>Unterschrift</i> <i>Signature</i>	<i>Date</i>
<i>Date</i>	<i>Name/Position</i>	<i>Unterschrift</i> <i>Signature</i>	<i>Date</i>
<b>Sonstiges/ Other Aspects:</b>			
<b>Remark:</b>	According to the client's requirement, this report is only for evaluate the heating capacity and COP data listed on manufacturer's data sheet.		
<b>Abkürzungen:</b>	<i>P(ass)</i> = entspricht Prüfgrundlage <i>F(ail)</i> = entspricht nicht Prüfgrundlage <i>N/A</i> = nicht anwendbar <i>NT</i> = nicht getestet	<b>Abbreviations:</b>	<i>P(ass)</i> = passed <i>F(ail)</i> = failed <i>N/A</i> = not applicable <i>NT</i> = not tested
<b>Dieser Prüfbericht bezieht sich nur auf das o.g. Prüfmuster und darf ohne Genehmigung der Prüfstelle nicht auszugsweise vervielfältigt werden. Dieser Bericht berechtigt nicht zur Verwendung eines Prüfzeichens.</b>			
<i>This test report relates to the a. m. test item. Without permission of the test center this test report is not permitted to be duplicated in extracts. This test report does not entitle to carry any safety mark on this or similar products.</i>			

Test item particulars:						
Class of protection ..... Class I						
Degree of protection ..... IPX4						
Possible test case verdicts:						
- test case does not apply to the test object ..... N(A.)						
- test object does meet the requirement ..... P(ass)						
- test object does not meet the requirement ..... F(all)						
<b>Summary of testing</b>						
<ol style="list-style-type: none"> <li>1. Tests were performed according to the standard EN 14511:2011.</li> <li>2. The model PH80Ls was selected as representative model.</li> <li>3. According to the client's requirement, one special test condition was considered in this report. For detail of test condition can refer to appended table.</li> </ol>						
<b>General product information</b>						
<ul style="list-style-type: none"> <li>&gt; This appliance is swimming pool heat pump for heating the water of the swimming pool.</li> <li>&gt; The main power is supplied to main unit via a 3 phase 5-pole supply cord and permanently connected to fixed wiring. The specification of the power cord is stated on user manual.</li> <li>&gt; The unit is equipped with LED controller.</li> </ul>						
<b>Model list:</b>						
Model	Rated Heating Capacity(kW)		Rated Power Input (kW)	Rated cooling capacity (kW) A35°C/ W28°C	Remark	Trade mark
	A26°C/ W26°C	A15°C/ W26°C				
PH80Ls	33,0	21,5	4,70	-	Heating only	
PHC80Ls	33,0	21,5	4,70	20,0	Heating/Cooling	
THP28Ls	33,0	21,5	4,70	-	Heating only	
THCP28Ls	33,0	21,5	4,70	20,0	Heating/Cooling	
<b>Model difference:</b>						
<ol style="list-style-type: none"> <li>1. PH80Ls, THP28Ls are identical with PHC80Ls, THCP28Ls respectively except that PH80Ls, THP28Ls can only operate in heating mode, PHC80Ls, THCP28Ls can operate in cooling and heating mode.</li> <li>2. PH80Ls, PHC80Ls are identical with THP28Ls, THCP28Ls respectively except model name.</li> </ol>						



Notes:

Revision 7-2015 H38W-4