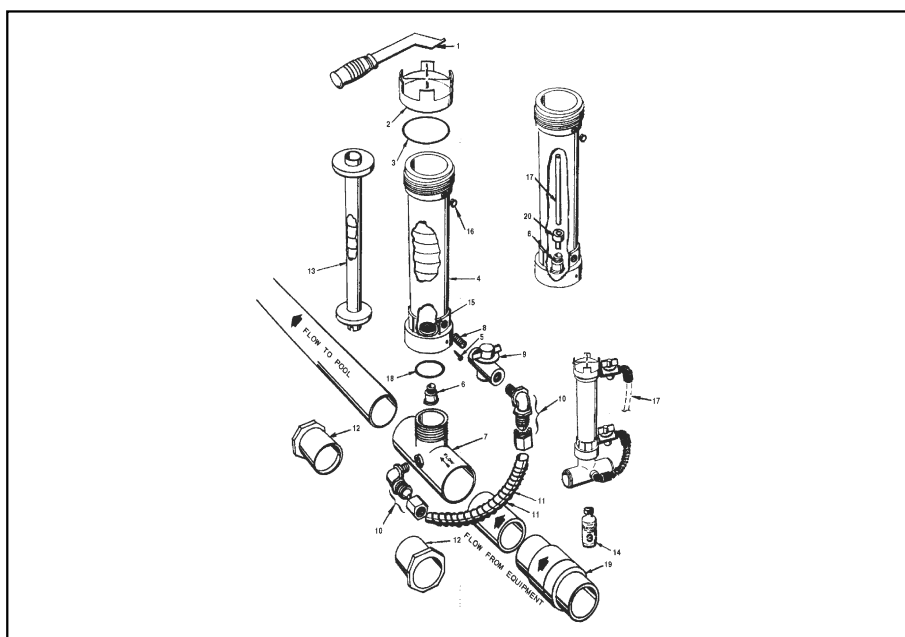


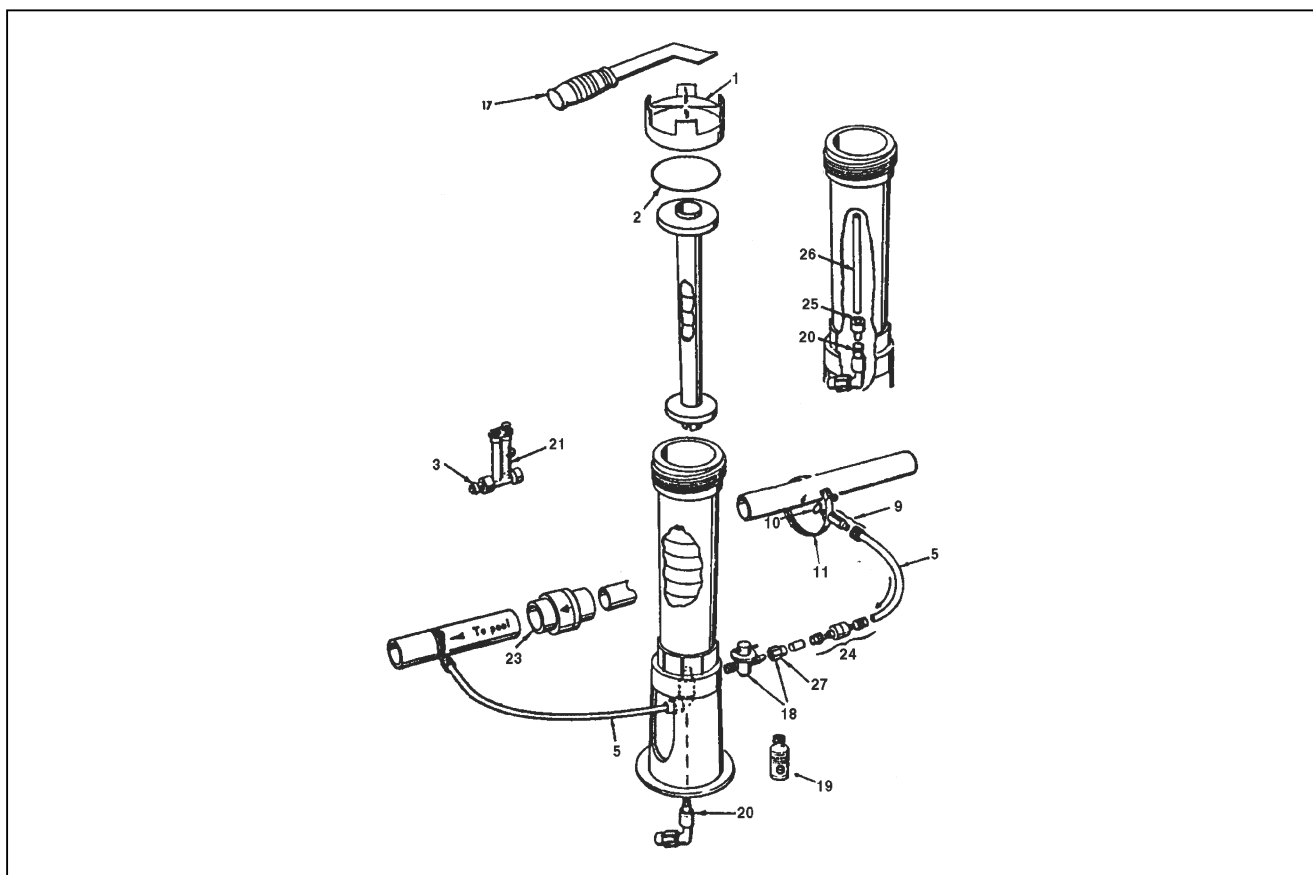
ODDÍL I

CHEMICKÉ DÁVKOVAČE

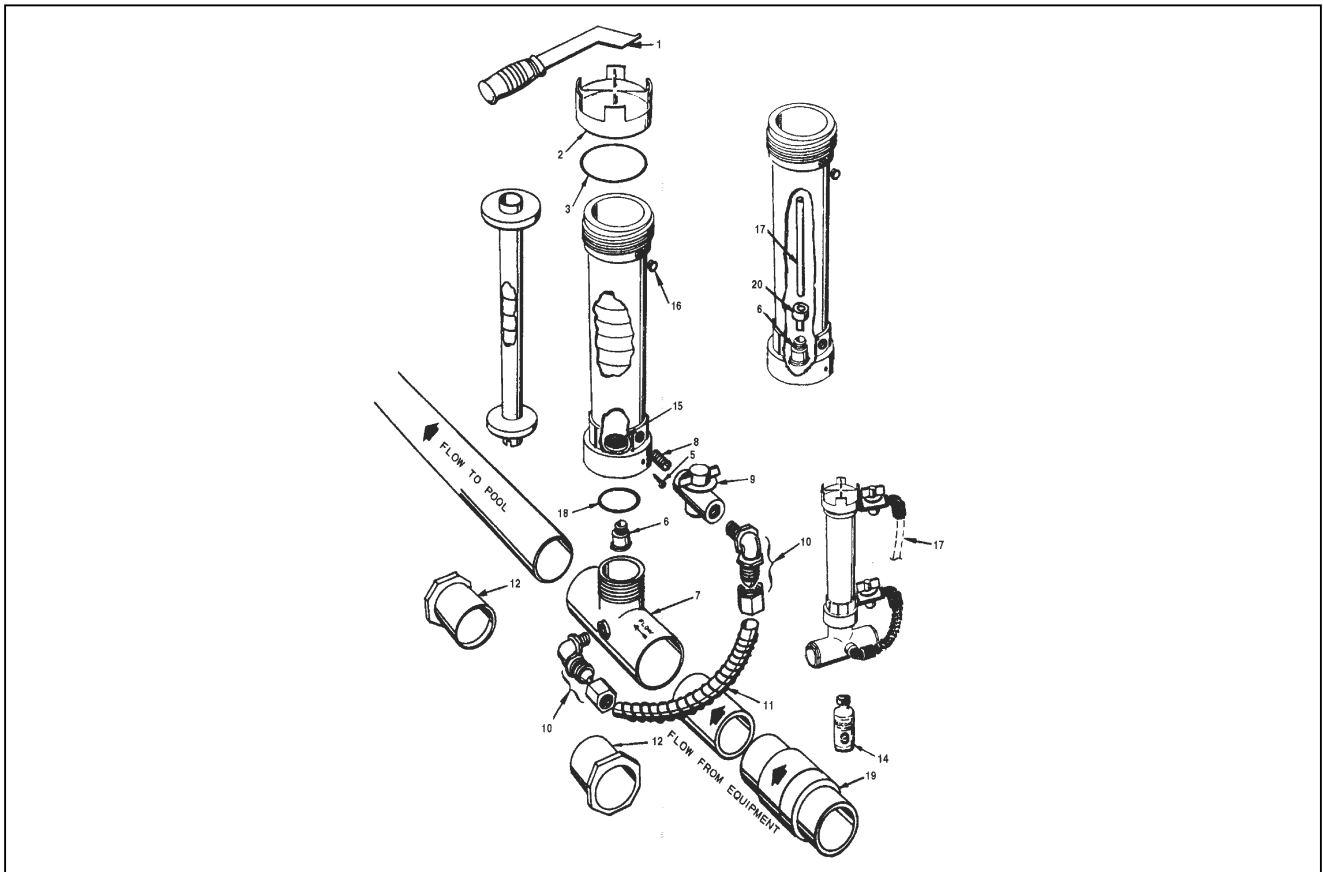
CHEMICAL DOSING MACHINES



954600220, 954600221, 954600400, 954600580 DÁVKOVAČ PEVNÝCH LÁTEK HADIČKOVÝ RAINBOW 300



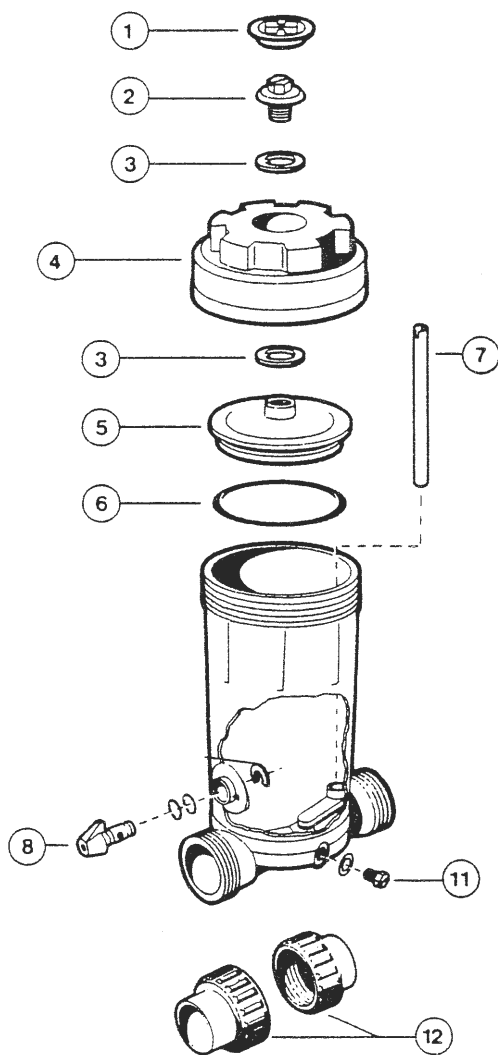
detail	identifikace	popis
1	PR172008W	Víko se závitem 3" 3" threaded cap, white
2	PR172009	O-kroužek O-ring, cap
3	PR172020	Zpětný ventil Check valve
5	PR172023	Hadička 3/8" x 1/4" l=2,4m 3/8" o.d. x 1/4" i.d. tubing, 8ft.
9	PR172032	Hadicový trn s maticí Tube fitting with compression nut
10	PR172033	Těsnění Gasket
11	PR172034	Stahovací svorka Saddle clamp
17	PR172052	Utahovací klíč Cap wrench
18	PR172060	Regulační ventil 1/4" s převlečnou matkou Control valve 1/4" NPT x tube with compression nut
19	PR172036	Silikonový vazelína Silicone lubricant, 3/4 oz.
20	PR172061	Kombinovaný regulační ventil a koleno Combination check valve / elbow
21	PR172080	Ventil kontroly průtoku Flow indicator w/check valve
23	PR172288	Korozi odolný zpětný ventil 1 1/2" -2" corrosion resistant check valve
24	PR172323	Korozi odolný zpětný ventil 1 1/4" corrosion resistant check valve
25	PR172061B	Adaptér pro trubičku Standpipe adapter, Bromine
26	PR18761	trubička l=6", 3/8 x 1/4 6" Standpipe 3/8" o.d. x 1/4" i.d.
27	PRA18706	Převlečná matka 1/4" Compression nut only
	PR172064	Sáček s příslušenstvím dávkovače Bag with accessory for chlorin



detail	identifikace	popis
1	PR172052	Utahovací klíč Cap wrench
2	PR172008W	Víko se závitem 3" 3" threaded cap, white
3	PR172009	O-kroužek O-ring, cap
4	PR172321	Tělo chlorátoru bílé #320 Body only
5	PR01052	Upevňovací šroub Lock screw
6	PR172248	Zpětný ventil Check valve
7	PR172317	T-kus s vnějším závitem 2" Diverter tee 1 1/2 NPT x 2" slip
8	PR172256	Nípl 1/2" x MPT 1/2" x short MPT nipple
9	PR172086	Regulační ventil 1/2" 1/2" control valve
10	PR172272	Úhel 90° 1/2" NPT x ELL 1/2" NPT x tube 90° ELL w/nut
11	PR172091	Hadička 5/8" 5/8" o.d. short feeder tube
12	PR172210*	Redukce 2" x 1 1/2" 2" x 1 1/2" SxS bushing *for 1 1/2" PVC only
14	PR172036	Silikonová vazelína Silicone lubricant, 3/4 oz.
15	PR172255	Přepážka Screen
16	PR172134	Zátka 1/2" MPT 1/2" NPT PVC plug
17	PR172253	trubička 5/8" 5/8" o.d. 18" tube
18	PR172319	O-kroužek Bottom O-ring
19	PR172288	Zpětný ventil 1 1/2" corrosion resistant check valve
20	PR172048B	Adaptér pro trubičku Standpipe adapter, Bromine

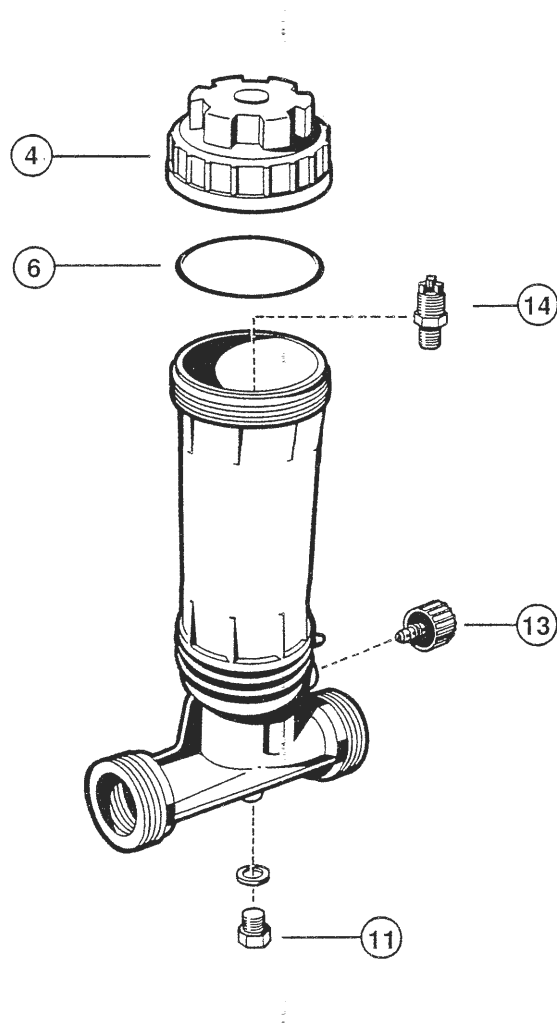
xxx DÁVKOVAČ CHEMIE DO POTRUBÍ

CL 0200 EURO

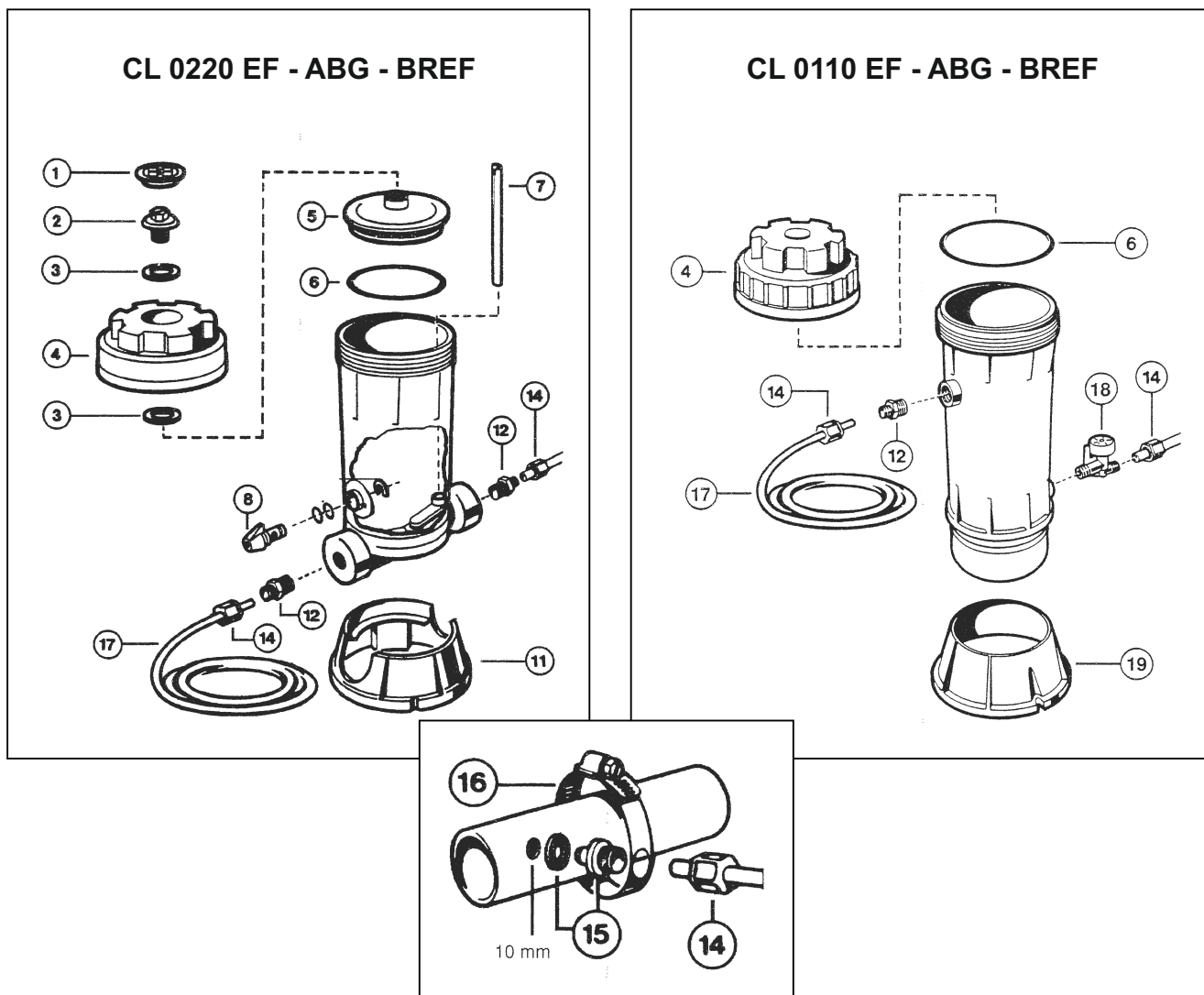


detail	identifikace	popis
1+2	HCLX0200EG	Zátka + krytka závitová Logo cap + Cover screw
3	HCLX0200W	Těsnění Slip washer
4	HCLX0200C	Víko Lid
5	HCLX0200B	Vnitřní víko Cap
6	HCLX0200K	O-kroužek O-ring
7	HCLX0200H	Trubička dávkovače Feeder tube
8	HCLX0200PA	Kontrolní ventil Control valve assembly
11	HSPX1700FG	Vypouštěcí zátka Rain plug with gasket
12	HSP1500UNPAKE	Připojovací šroubení Union connector pack

CL 0100 EURO



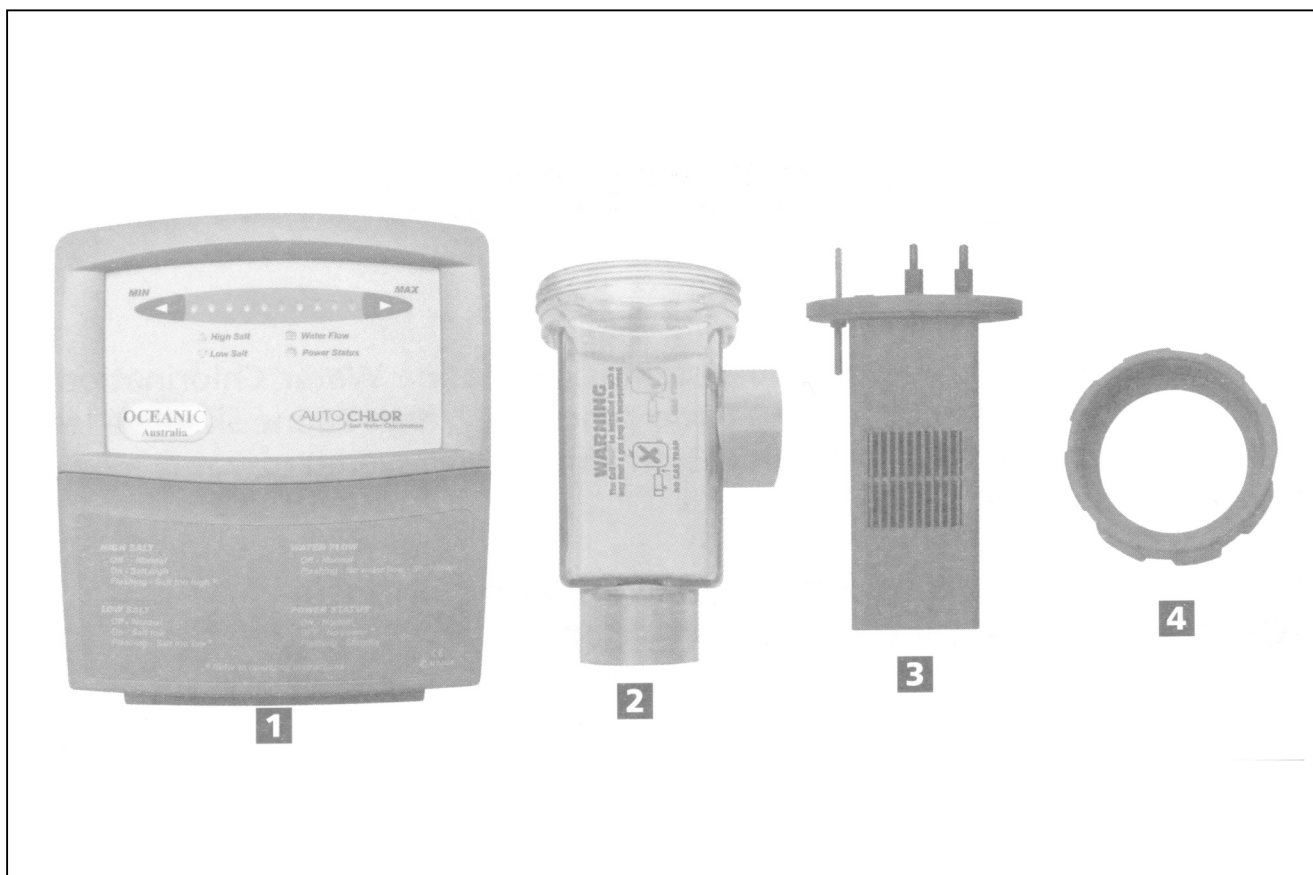
detail	identifikace	popis
4	HCLX0110C	Víko Lid
6	HCLX0110K	O-kroužek O-ring
11	HSPX1700FG	Vypouštěcí zátka s těsněním Drain plug with gasket
13	HCLX0110FA	Regulační knoflík Control knob assembly
14	HCLX0220EA	Zpětný ventil + vsťř.fitinka Check valve assembly



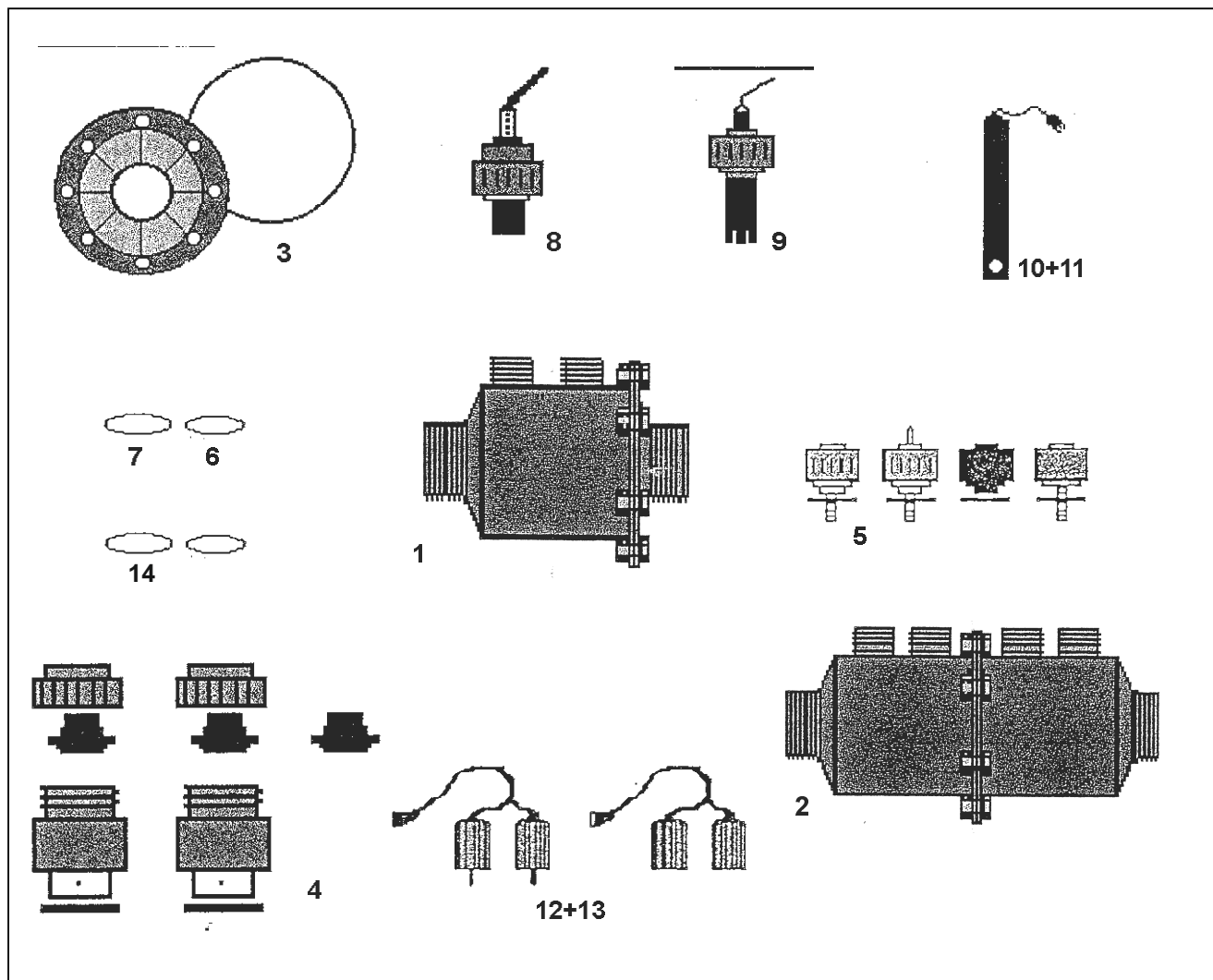
detail	identifikace	popis
1+2	HCLX0200EG	Zátka + krytka závitová <i>Logo cap + Cover retaining screw</i>
3	HCLX0200W	Těsnění <i>Slip washer</i>
4a	HCLX0200C	Víko <i>Lid chlorine</i>
4b	HCLX0200C2	Víko <i>Lid bromine</i>
5a	HCLX0200B	Víko vnitřní <i>Cover chlorine</i>
5b	HCLX0200B2	Víko vnitřní <i>Cover bromine</i>
6	HCLX0200K	O-kroužek <i>O-ring</i>
7	HCLX0200H	Trubička dávkovače <i>Feeder tube</i>
8	HCLX0200PA	Kontrolní ventil <i>Control valve assembly</i>
11	HCLX0220B	Základna <i>Base</i>
12	HCLX0220EA	Zpětný ventil + vsťř.fitinka <i>Inlet fitting adapter</i>
14	HCLX0220H	Převlečná matka <i>Compression nuts</i>
15	HCLX0220G	Vsťřř.fitinka + těsnění <i>Saddle fitting</i>
16	HCLX0220K	Stahovací pásek <i>Saddle clamp</i>
17	HCLX0220J	Hadička <i>Plastic tubing</i>

detail	identifikace	popis
4a	HCLX0110C	Víko <i>Lid chlorine</i>
4b	HCLX0110C2	Víko <i>Lid bromine</i>
6	HCLX0110K	O-kroužek <i>O-ring</i>
12	HCLX0220EA	Zpětný ventil + vsťř.fitinka <i>Inlet fitting adapter</i>
14	HCLX0220H	Převlečná matka <i>Compression nuts</i>
15	HCLX0220G	Vsťřř.fitinka + těsnění <i>Saddle fitting</i>
16	HCLX0220K	Stahovací pásek <i>Saddle clamp</i>
17	HCLX0220J	Hadička <i>Plastic tubing</i>
18	HCLX0110DA	Regulační ventil <i>Dial control</i>
19	HCLX0110B	Základna <i>Base</i>

93120020/30 AUTOCHLOR SMC 20/30



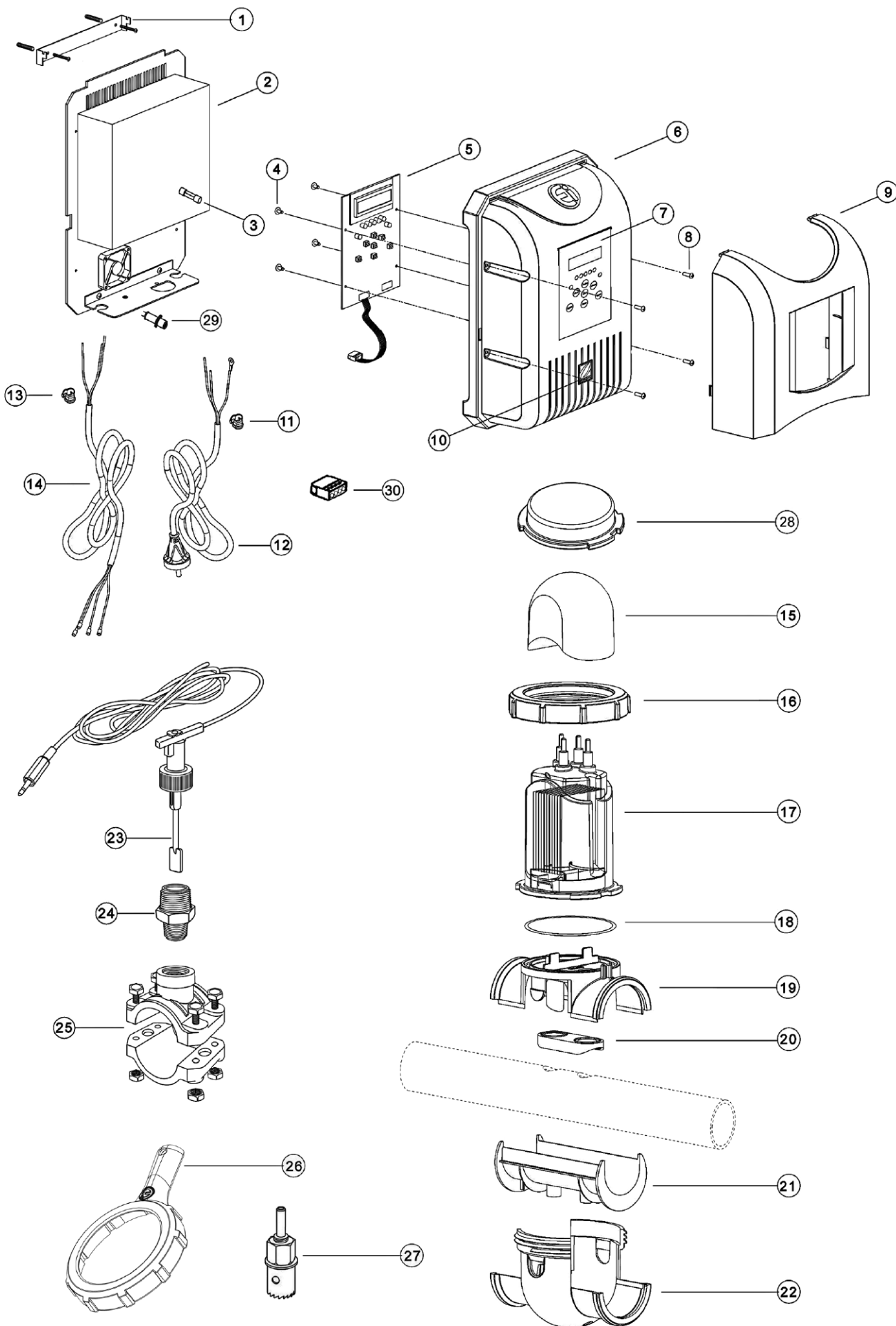
<i>detail</i>	<i>identifikace</i>	<i>popis</i>
1		Řídící modul
2	9312221	Pouzdro cely
3	9312201	Cela SMC 20 NOVÁ od r. 2009
3	9312220	Cela SMC 20 STARÁ 2004-2008
3	9312230	Cela SMC 30
4	9312222	Šroubení cely



detail	identifikace	popis
1	A3027R	Nádoba pro 2 elektrody Container for 2 electrode
2	A3028R	Nádoba pro 4 elektrody Container for 4 electrode
3	A3018R	Víko nádobky Cover of container
4	A3037R	Průchodka pro sondu Bushing for sound
5	A3106R	Matka na elektrodu Nut for electrode
6	A3012R	Těsnění matky 20x3,5mm (O-kroužek) Gasket of nut 20x3,5mm
7	A3015	Těsnění matky 20x1,5mm (O-kroužek) Gasket of nut 20x1,5mm
8	A93034R	Sonda teploty Sound of heat
9	A93036R	Sonda TDS Sound TDS
10	S990010500	Sonda pH Sound pH

detail	identifikace	popis
11	S990010503	Sonda ORP Sound ORP
12	A3001R	Kabel ke 2 elektrodám s konektorem Cable for 2 electrode with connector
13	A3002R	Kabel ke 4 elektrodám s konektorem Cable for 4 electrode with connector
14	A3064R	Těsnění ploché D 18x3,5x4mm matky AQ

AUTO CHLOR ZODIAC EI

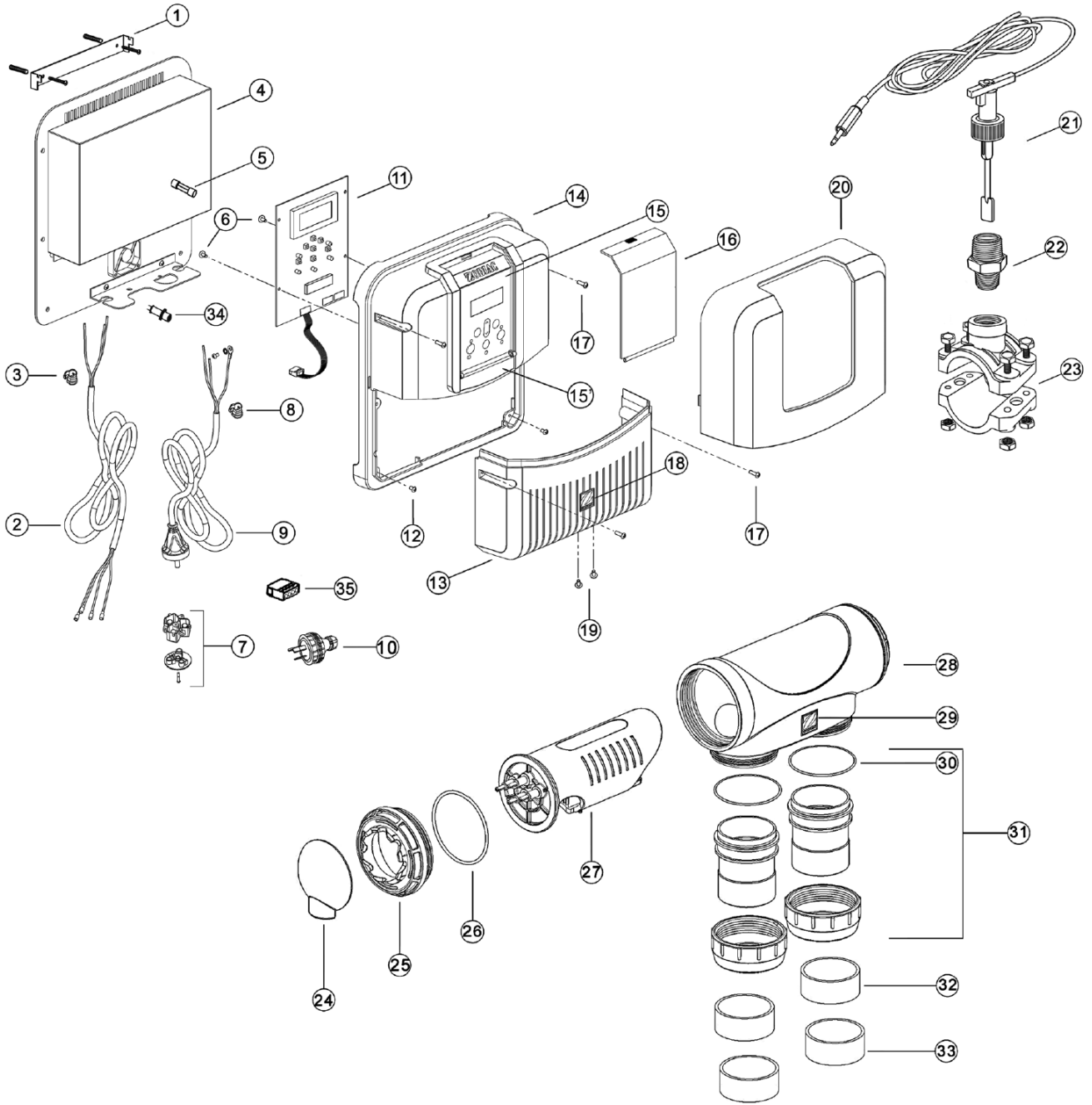


AUTO CHLOR ZODIAC EI

<i>detail</i>	<i>identifikace</i>	<i>popis</i>
1	W012781	Wall mount + fixture kit
2	W083071	Ei power supply set (<i>aluminium chassis + card + ventilator</i>)
3	W110201	M205 2.5 AT Fuse
4	W001400	4x1/4" fixing screws for <i>Ei electronic board</i>
5	W083061	Ei control electronic board
6	W043590	Ei control box plastic cover
6	W043591	Ei power pack plastic cover / top part
6	W043592	Ei power pack plastic bottom rail
7	W177000	Ei control panel sticker
8	W001481	M3x12mm fixing screws for Ei plastic <i>cover</i>
9	W043780	Ei upper cover silver
10	W176801	Zodiac sticker for Ei power pack plastic <i>cover and cell cap</i>
11	W001371	Cable grip for mains power supply
12	W052650	Mains supply cable with EU plug
13	W001401	Cable grip for cell power supply
14	W195591	Complete Ei cell power supply cable
15	W043800	Cell cap
16	W043790	Electrode tightening ring
17	W197601	Complete Ei 10 electrode
17	W197612	Complete Ei 17 electrode
17	W197621	Complete Ei 25 electrode
18	W151281	Electrode O-ring
19	W043640	Saddle clamp top
20	W043700	Flat hose joint 1 1/2" (UK)
20	W043710	Flat hose joint DN50mm, DN63mm (EU)
22	W043630	Lower Ei fixing collar
21	W043680	UK pipe adapter (1 1/2")
21	W043690	EU pipe adapter (DN50mm)
22	W043630	Saddle clamp bottom
23	W197172	Flow switch complete (+ <i>cable and jack 3,5mm</i>)
24	W043560	3/4"x1/2" adapter for flow switch
25	W013010	Complete DN50mm saddle clamp (<i>adaptable to 1 1/2" UK</i>)
25	W013011	Complete DN63mm saddle clamp (<i>adaptable to 2" UK</i>)
26	W043760	Electrode locking ring wrench
27	W043750	Hole saw 22mm for pipe drilling

<i>detail</i>	<i>identifikace</i>	<i>popis</i>
28	W043870	Winterizing cap for cell
29	W121953	3,5mm female jack plug
30	W121961	4-way cable connector

AUTO CHLOR ZODIAC TRI EXPERT

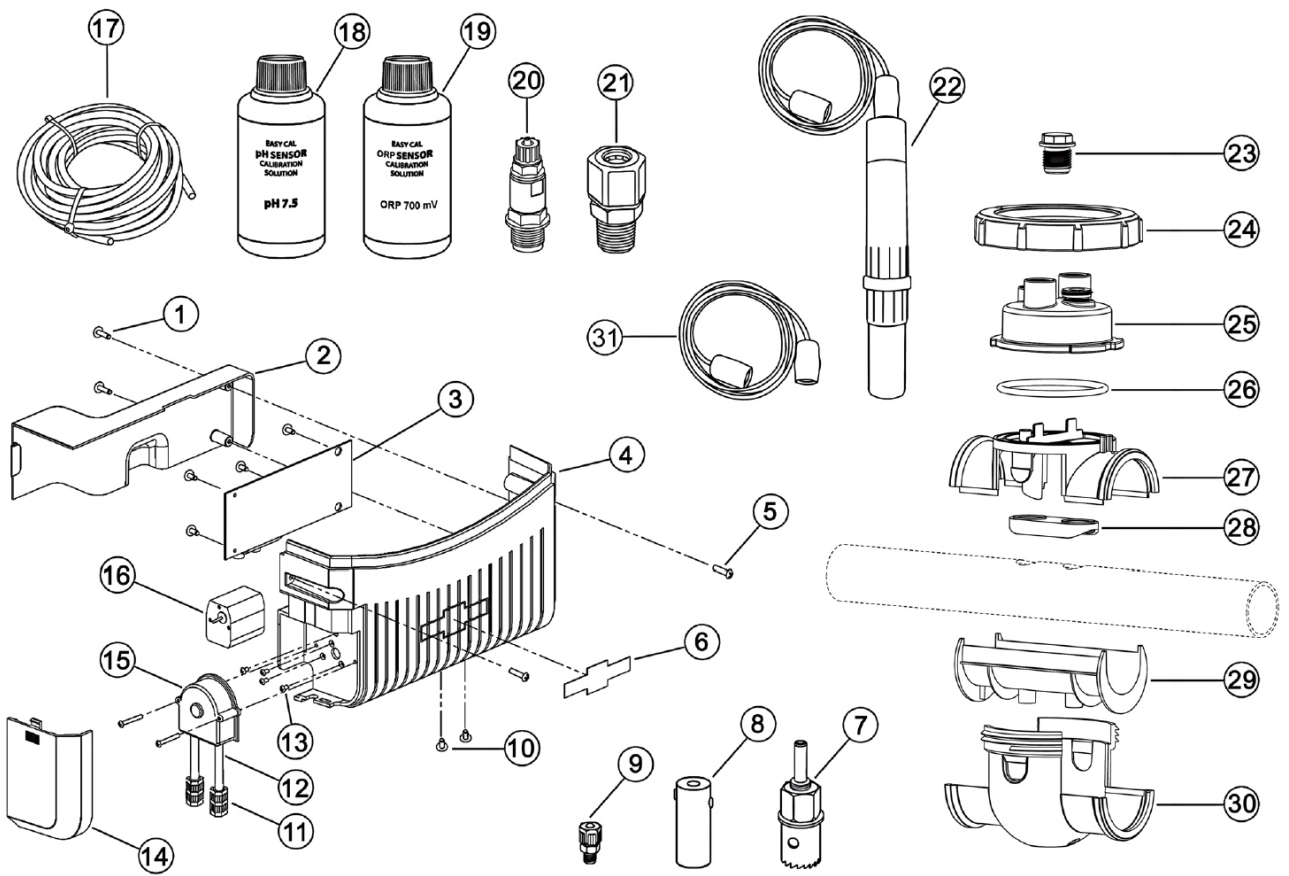


AUTO CHLOR ZODIAC TRI EXPERT

detail	identifikace	popis
1	W012575	Wall mount + fixture kit
2	W195591	Complete TRi cell power cable (with connectors)
3	W001401	Cable grip for TRi cell power supply
4	W082981	TRi power supply set (aluminium chasis + card + ventilator)
5	W110091	M205 3.15 A T Fuse
6	W001400	4 x 1/4" fixing screws for TRi electronic board
7	W120381	"AUS" female type plug
8	W000021	Cable grip for mains power supply
9	W052510	EU power supply cable
10	W120131	Male 3 pin plug "AUS" type
11	W082991	TRi control electronic board
12	W000201	M4x6 mm lower fixing screw . for TRi cover
13	W043240	Lower cover for standard TRi
14	W043210	Upper cover for TRi control box
15	W176741	TRi control panel sticker (<04/2013)
15	WH0404900	TRi control panel label blue, yellow (>04/2013)
15	WH0494900	TRi Expert control panel label black, yellow (>03/2015)
15	WH0495400	TRi Expert label
16	W043220	Transport plexi protection cover for control panel
17	W001421	M4x20mm fixing screws for covers
18	W176801	Zodiac sticker for lower cover
19	W001461	M3x5mm fixing screws for lower plate
20	W043230	Silver TRi housing cover
20	WA0256101	Black TRi Expert housing cover
21	W197172	Complete flow switch (+ cable jack 3,5)
22	W043560	3/4"x1/2" adapter for flow switch
23	W013010	Complete DN50mm saddle clamp
23	W0113011	Complete DN63mm saddle clamp
24	W043340	TRi cell protective cap
25	W043290	Electrode tightening ring
26	W150031	Electrode O-ring
27	W197401	Complete TRi 10 electrode
27	W197412	Complete TRi 18 electrode
27	W197432	Complete TRi 22 electrode
27	W197442	Complete TRi 35 electrode
28	W043280	Empty TRi cell body
29	W176791	Zodiac sticker for TRi cell (3 per cell)

detail	identifikace	popis
30	W151271	Barrel union O-ring
31	W197780	Barrel union set for TRi DN63mm / 2"
32	W041321	PVC DN50mm adapter to glue
33	W041101	PVC 1 1/2" adapter to glue (UK)
34	W121953	3,5mm female plug jack
35	W121961	4-way cable connector

AUTO CHLOR ZODIAC TRi pH, TRi PRO, pH Link, Dual Link

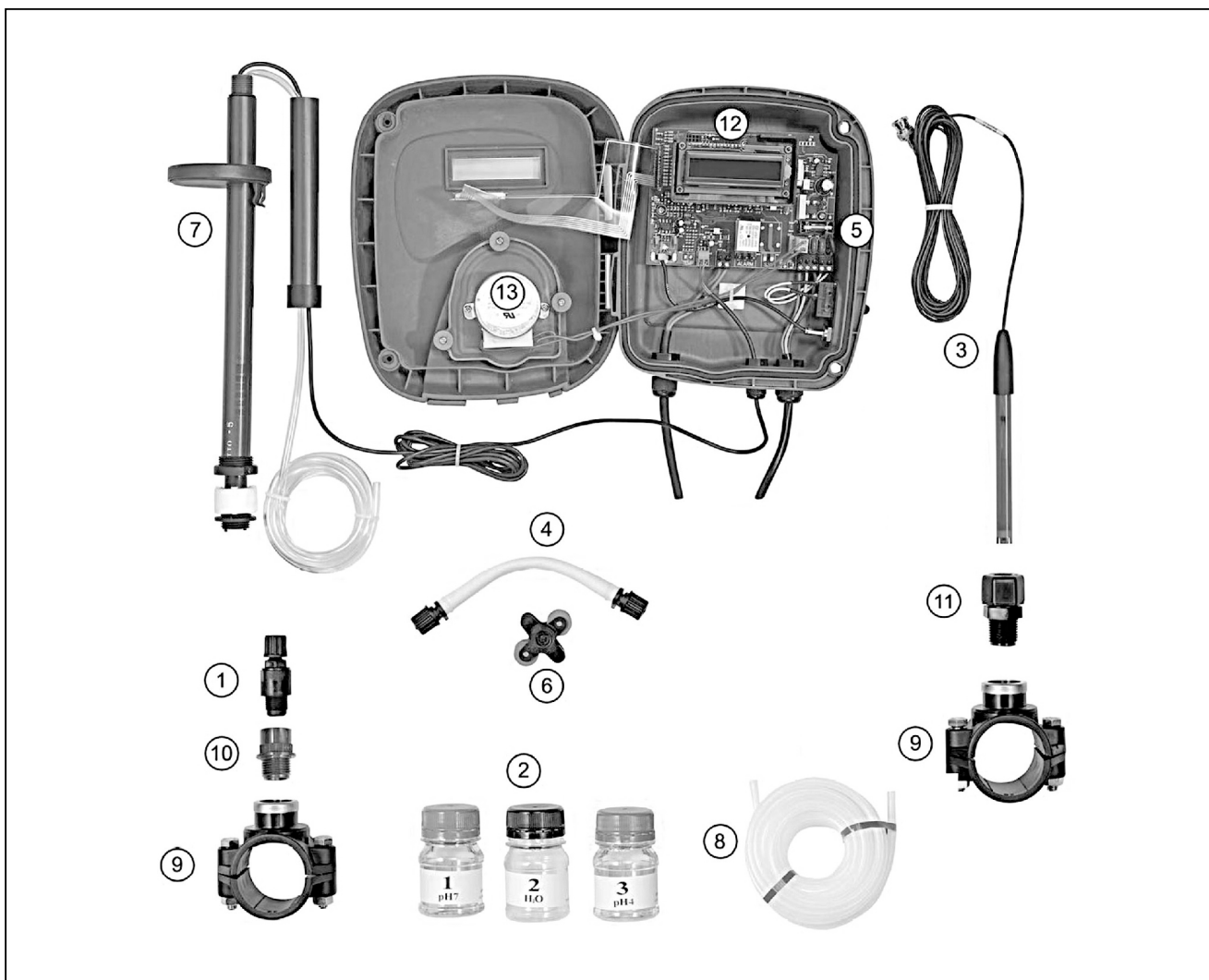


AUTO CHLOR ZODIAC TRi pH, TRi PRO, pH Link, Dual Link

detail	identifikace	popis
1	W001400	4 x 1/4" fixing screws for electronic board
2	W043260	Module electronic board protection
3	W083001	TRi pH electronic module card
3	W083011	TRi PRO electronic module card
4	W043250	TRi pH / TRi PRO module plastic cover (without sticker)
5	W001421	M4x20 mm fixing screws for module Cover
6	W176751	TRi pH sticker for module plastic Cover
6	W176761	TRi PRO sticker for module plastic Cover
6	WH0491300	pH Link sticker for module plastic cover
6	WH0491400	Dual Link sticker for module plastic cover
7	W043750	Hole saw 22mm for pipe drilling
8	W045121	Ceramic counter-weight
9	W040451	Ceramic counter-weight retaining nozzle
10	W001461	M3x5mm fixing screws for lowers plate
11	W043420	Peristaltic hose connector
12	W501211	Peristaltic hose (no connectors)
13	W001451	M3x6mm fixing screws for peristaltic pump motor
14	W043270	Peristaltic pump protection cover
15	W501191	Peristaltic pump head with hose (no con.)
16	W501201	Peristaltic pump motor
17	W043450	pH minus injection polyethylene tube 6x4mm (per metre)
18	W500730	Buffer solution pH 7,5 (200mL)
19	W500740	Buffer solution ORP 700mV (200mL)
20	W043440	Injection check valve - 1/2"
21	W043730	Sensor holder 12mm (sensors<03/2014)
22	W500710	Z54H1P-5 pH sensor with 1,5m armoured BNC cable
22	W500720	Z54R1P-5 ACL sensor with 1,5m armoured BNC cable
23	W198060	Threaded plug 1/2" (+orig)
24	W043790	POD tightening ring
25	W198200	POD +threaded adapter for flow detector
26	W151281	Ei electrode O-ring
27	W043640	Saddle clamp top
28	W043700	Flat hose joint 1 1/2" (UK)
28	W043710	Flat hose joint DN50mm DH63mm (EU)
29	W043680	UK pipe adapter (1 1/2")
29	W043690	EU pipe adapter (DN50mm)

detail	identifikace	popis
30	W043630	Saddle clamp bottom
31	WR0635800	3m BNC cable extension for pH, ACL

PH Perfect



detail	identifikace	popis
1	W013001	Injection check valve
2	W013002	Pack of three bottles of buffer solution (pH4, pH7 & H2O)
3	W013003A	pH sensor Z35H1P-17 with 5 m of shielded cable
4	W013004	Peristaltic tube complete (with connections)
5	W013005	500 mA T fuse
6	W013007	Peristaltic pump tablet holder
7	W013008	Complete anti-emission suction pipe (with cable & tube)
8	W013009	Polyethylene correcting fluid injector tube 4x6 mm (per metre)
9	W013010	Complete DN50 fixing collar (adaptable to 1 1/2" UK)
9	W013011	Complete DN63 fixing collar (adaptable to 2" UK)
10	W013015	PVC adapter for injection valve
11	W013016	pH sensor holder
11	W013020	Headless stainless steel screws for command box hinge
12	W013022	pH Perfect electronic card and LCD display (from 2008)
12	W013023	Control panel sticker with buttons and braid (from 2008)

detail	identifikace	popis
12	W013038	Control panel sticker with buttons and braid (from 2012)
12	W013024	Empty pH Perfect box (front face + rear face only; from 2008)
13	W013026	Complete peristaltic pump motor (with casing, from 2008)
13	W013029	Peristaltic pump protective casing (from 2008)
13	W521131	Stirrup wall-mount kit (stirrup + 2 screws + 2 plugs)
13	W013036	Stirrup wall-mount kit for casing (stirrup + 2 screws)



detail	identifikace	popis
1	W013001	Injection non-return valve
2	W013031	Buffer solution 465 mV
3	W500770	ORP sensor Z35R1P-17 with 5 m shielded BNC cable
4	W013004	Complete peristaltic tube (with connectors)
5	W013005	Fuse 500 mA T
6	W013007	Peristaltic pump roller head
7	W013008	Complete anti-emission dip tube (with cable & tube)
8	W013009	Polyethylene corrector product injection tube 4x6 mm (per meter)
9	W013010	Complete DN50 mm connecting collar (suitable for UK 1½")
9	W013011	Complete DN63 mm connecting collar (suitable for UK 2")
10	W013015	PVC reducer for injection valve
11	W013016	Probe holder PSS3
11	W013020	Headless stainless steel screw for control box hinge
12	W013032	Chlor Perfect electronic card with orange LCD screen
12	W013033	Chlor Perfect control panel sticker (from 2012)

detail	identifikace	popis
12	W013024	Empty control box (front and rear faces only)
13	W013034	Chlor Perfect 5L/h peristaltic pump motor, complete
14	W013029	Protective cover for peristaltic pump
14	W521131	Wall-mounting bracket kit (bracket + 2 screws + 2 wall plugs)
14	W013036	wa ll-mounting bracket

pH Expert



detail	identifikace	popis
1	W013001	Injection check valve
2	W013002	Pack of three bottles of buffer solution (pH4, pH7 & H2O)
3	W013048	S-B pH sensor with 5m armoured BNC cable
4	W013004	Peristaltic tube complete (with connections)
5	W013005	500 mA T fuse
6	W013007	Peristaltic pump tablet holder
7	W013008	Complete anti-emission suction pipe (with cable & tube)
8	W013009	Polyethylene correcting fluid injector tube 4x6 mm (per metre)
9	W013010	Complete DN50 fixing collar (adaptable to 1 1/2" UK)
9	W013011	Complete DN63 fixing collar (adaptable to 2" UK)
10	W013015	PVC adapter for injection valve
11	W013016	pH sensor holder
/	W013020	Headless stainless steel screws for command box hinge
12	W013022	pH Perfect electronic card and LCD display (from 2008)
12	W013012	pH Perfect with Led electronic card (>2008)

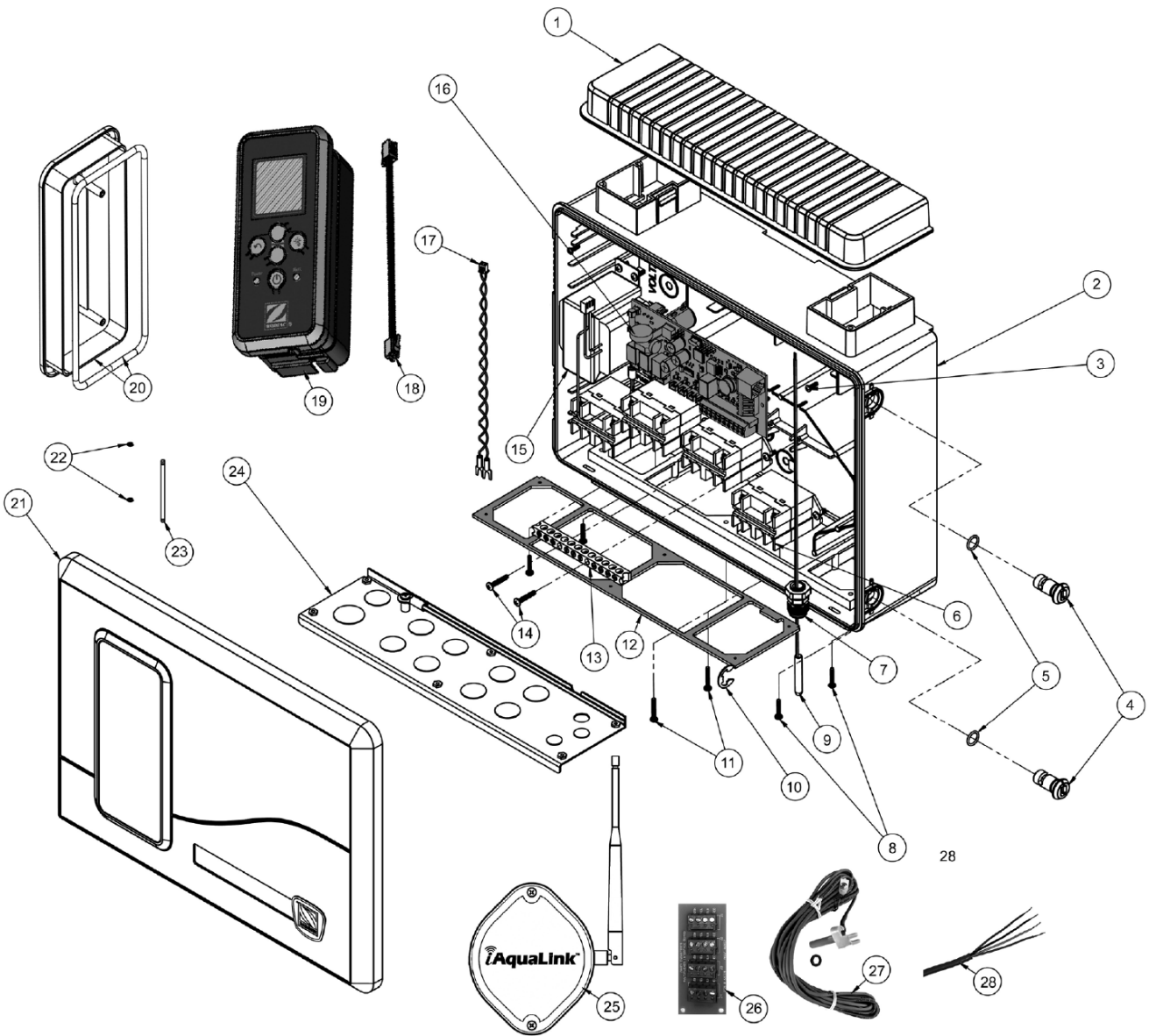
detail	identifikace	popis
/	W013013	Filtration interface electronic card (pH Perfect with Led, <2008)
/	WR0594700	Control panel sticker pH Expert
/	W013038	Control panel pH Perfect / thin ribbon cable (>05/2011)
/	W013018	Control panel sticker pH Perfect with Led (<2008)
/	WR0594900	Empty pH Export box (front face + rear face only)
/	W013024	Empty pH Perfect box (front face + rear only, >2008)
13	W013026	Complete peristaltic pump motor 1,5 L/h (with casing, >2008)
13	W013014	Complete peristaltic pump motor 1,5 L/h (with casing, <2008)
14	WR0595000	Peristaltic pump protective casing pH Expert
14	W013029	Peristaltic pump protective casing pH Perfect (>2008)
15	W521131	Stirrup wall-mount kit (stirrup + 2 screws + 2 plugs)
/	W013036	Stirrup wall-mount kit for casing (stirrup + 2 screws)



detail	identifikace	popis
1	W013001	Injection non-return valve
2	W013031	Buffer solution 465 mV
3	W013047	S-B ORP sensor with 5m armoured BNC cable
4	W013004	Complete peristaltic tube (with connectors)
5	W013005	Fuse 500 mA T
6	W013007	Peristaltic pump roller head
7	W013008	Complete anti-emission dip tube (with cable & tube)
8	W013009	Polyethylene corrector product injection tube 4x6 mm (per meter)
9	W013010	Complete DN50 mm connecting collar (suitable for UK 1 1/2")
9	W013011	Complete DN63 mm connecting collar (suitable for UK 2")
10	W013015	PVC reducer for injection valve
11	W013016	Probe holder PSS3
/	W013020	Headless stainless steel screw for control box hinge
12	W013032	Chlor Perfect electronic card with orange LCD screen
/	WR0594800	Chlor Expert control panel sticker

detail	identifikace	popis
/	W013033	Chlor Perfect control panel sticker (from 2012)
/	WR0594900	Empty chlor Perfect box
/	W013024	Empty chlor Perfect box (front face + rear face only)
13	W013026	Complete peristaltic pump motor 1,5 L/h (with casing)
13	W013034	Complete peristaltic pump motor 5 L/h (with casing)
14	WR0595000	Peristaltic pump protective casing chlor Expert
14	W013029	Peristaltic pump protective casing chlor Perfect
15	W521131	Stirrup wall-mount kit (stirrup + 2 screws + 2 plugs)
/	W013036	Stirrup wall-mount kit for casing (stirrup + 2 screws)

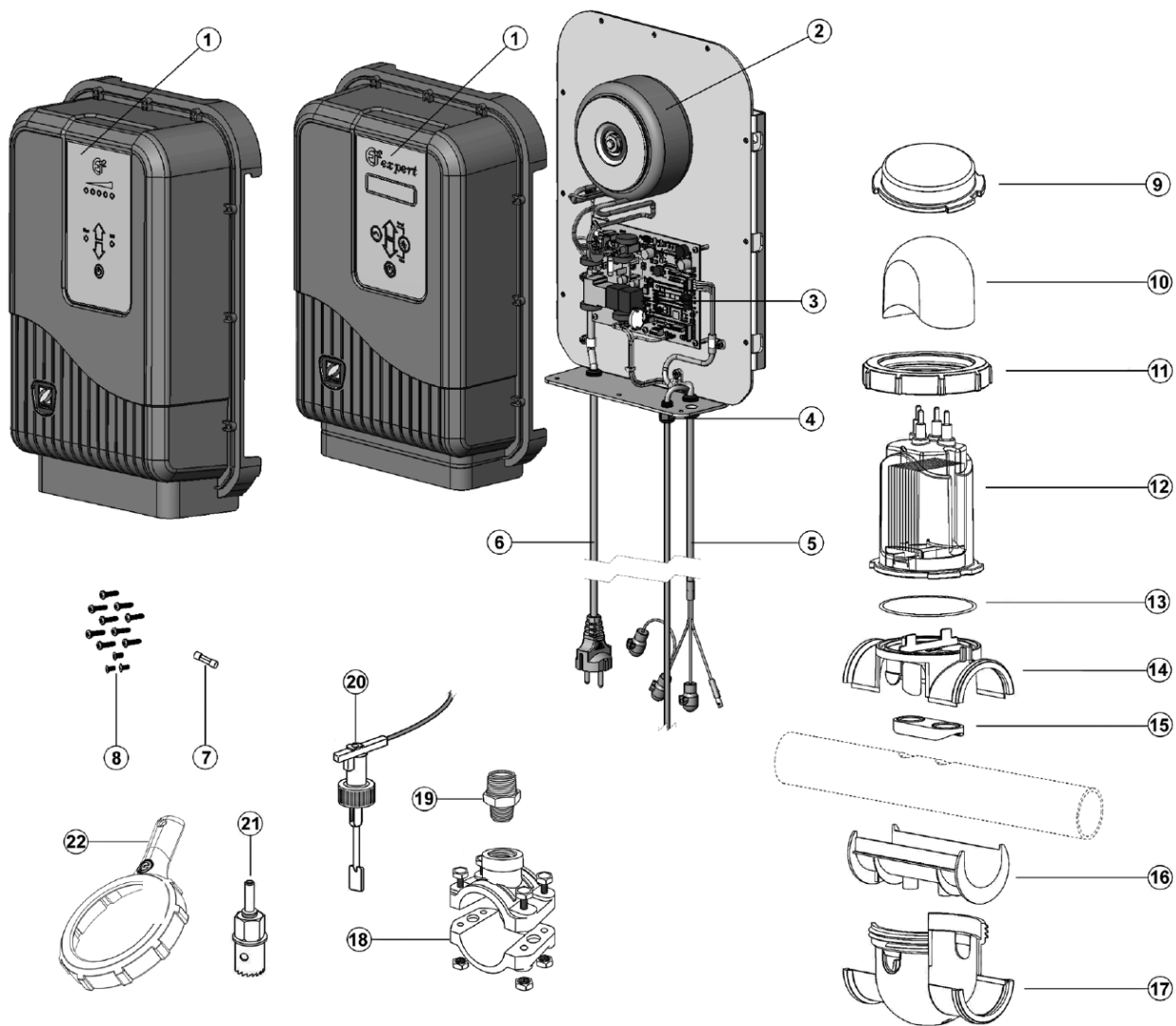
AquaLink TRi



AquaLink TRi

<i>detail</i>	<i>identifikace</i>	<i>popis</i>
1+2+3	WR0569700	R-Kit Aqualink Tri enclosure complete
1+3	WR0568900	R-KIT top vent cover (cover+2 screw)
4+5+10	WR0568400	R-KIT door tumbles
6+17	WR0658100	R-KIT relay (relay + 24V wiring)
7	WR0569500	R-KIT cable glands <i>(without sticker)</i>
9	WR0568500	R-KIT air temp sensor (with 5m cable) <i>Cover</i>
8+11+12+24	WR0569100	R-KIT metal base plate <i>Cover</i>
13+14	WR0568700	R-KIT grounding bar (bar 2 screws) <i>Cover</i>
15	WR0569300	R-KIT 220-240 VAC/50Hz transformer
16	WR0568200	R-KIT main power PCB (with 2 screws)
18+19	WR0568300	R-KIT user interface assembly
20	WR0568600	R-KIT blanking plate assembly <i>BNC plate</i>
21+22+23	WR0569401	R-KIT Aqualink Tri door assembly <i>(per item: 2 per hose)</i>
/	WF0115101	Plastite screw 4x3/8"
/	WF0115201	Plastite screw 6x3/8"
25	WIQ900-E	R-KIT iAqualink antenna
25	WIQ20-E	R-KIT iAqualink 2.0 antenna
26	WR0570200	R-KIT multiplex board
27	WR0570100	R-KIT water/solar temp sensor
28	W4278+	RS485 cable for iAqualink-compatible <i>products connection</i>

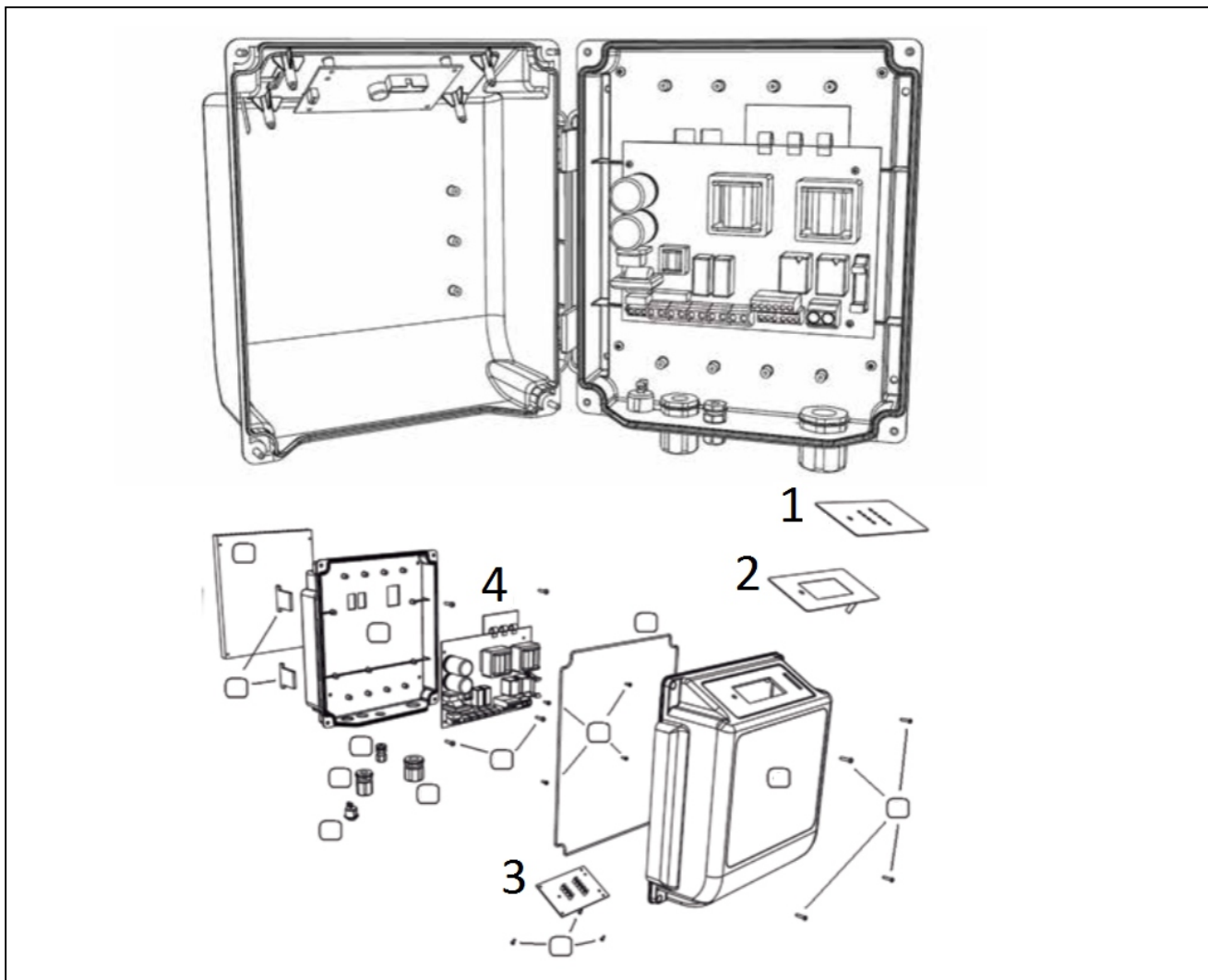
AUTO CHLOR ZODIAC Ei 2 a Ei 2 Expert



AUTO CHLOR ZODIAC Ei 2 a Ei 2 Expert

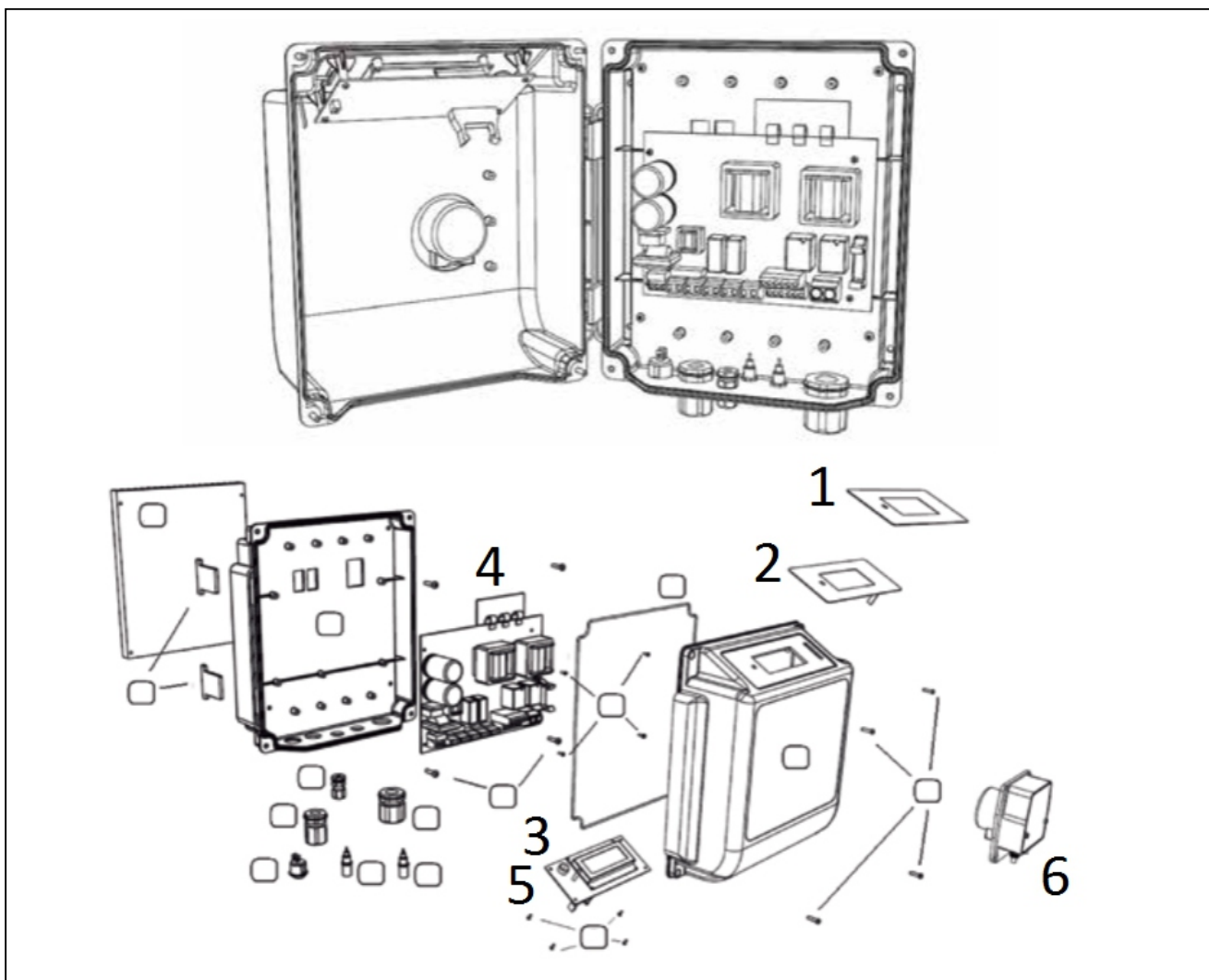
detail	identifikace	popis
1	WR0625400	Ei 2 cover assenbly with lexan
1	WR0664000	Ei 2 Expert cover assembly with lexan <i>control PCB</i>
2	WR0609700	Transformer kit
3	WR0625600	Ei 2 power PCB <i>(with thermal paste, screws)</i>
3	WR0664100	Ei 2 Expert power PCB <i>(with thermal paste, screws)</i>
4	WR0625700	Ei 2 cable glands kit (x2)
4	WR0664300	Ei 2 Expert cable glands kit (x4)
5	WR0609800	Ei 2 cell cable
5	WR0664200	Ei 2 Expert cell cable
6	WR0625100	Mains supply cable
7	W110201	M205 2,5A T Fuse
8	WR0609400	Cover screw set (9 x M4/17, 3 x M4/8)
8	W043870	Winterizing cap for cell
10	W043800	Cell cap
11	W043790	Electrode tightening ring
12	WR0673600	Complete Ei 2 12 electrode
12	WR0673700	Complete Ei 2 20 electrode
12	W197601	Complete Ei 2 Expert 10 electrode
12	W197612	Complete Ei 2 Expert 18 electrode
12	W197621	Complete Ei 2 Expert 25 electrode
13	W151281	Electrode O-ring
14	W043640	Saddle clamp top
15	W043700	Flat hose joint 1 1/2" (UK)
15	W043710	Flat hose joint DN50mm, DN63mm (EU)
16	W043680	EU pipe adapter (1 1/2")
16	W043690	EU pipe adapter (DN50mm)
17	W043630	Saddle clamp top
18	W013010	Complete DN50mm saddle clamp <i>(adaptable to 1 1/2" UK)</i>
18	W013011	Complete DN63mm saddle clamp <i>(adaptable to 2" UK)</i>
19	W043560	3/4"x1/2" adapter for flow switch
20	WV0090600	Ei 2 Expert flow switch
21	W043750	Hole saw 22 mm for pipe drilling
22	W043760	Electrode locking ring wrench
/	W2070A	Zodiac domed badge for cover
/	W176801	Zodiac sticker for cell cap

STANICE VA SALT C10P, C15P, C20P, C25P



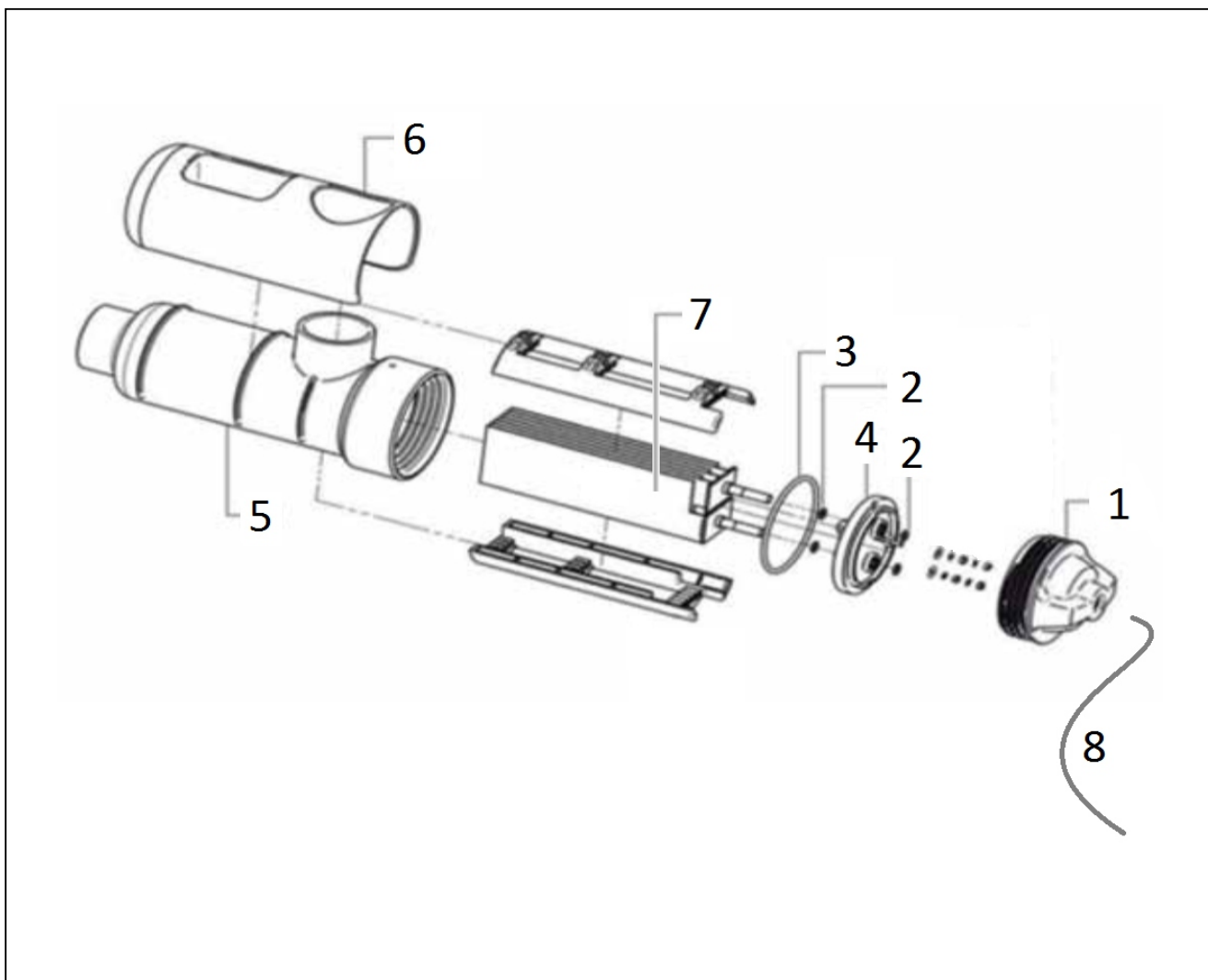
<i>detail</i>	<i>identifikace</i>	<i>popis</i>
1	BS0000005	Polep VA salt CP10-25
2	BS0000001	Klávesnice VA salt CP10-25
3	BSS100001	Elek. deska (měřicí) VA salt CP10
3	BSS150001	Elek. deska (měřicí) VA salt CP15
3	BSS200001	Elek. deska (měřicí) VA salt CP20
3	BSS250001	Elek. deska (měřicí) VA salt CP25
4	BS1010001	Elek. deska (nap) VA salt CP10-15
4	BS2020001	Elek. deska (nap) VA salt CP20-25

STANICE VA SALT SMART C10P, C15P, C20P, C25P



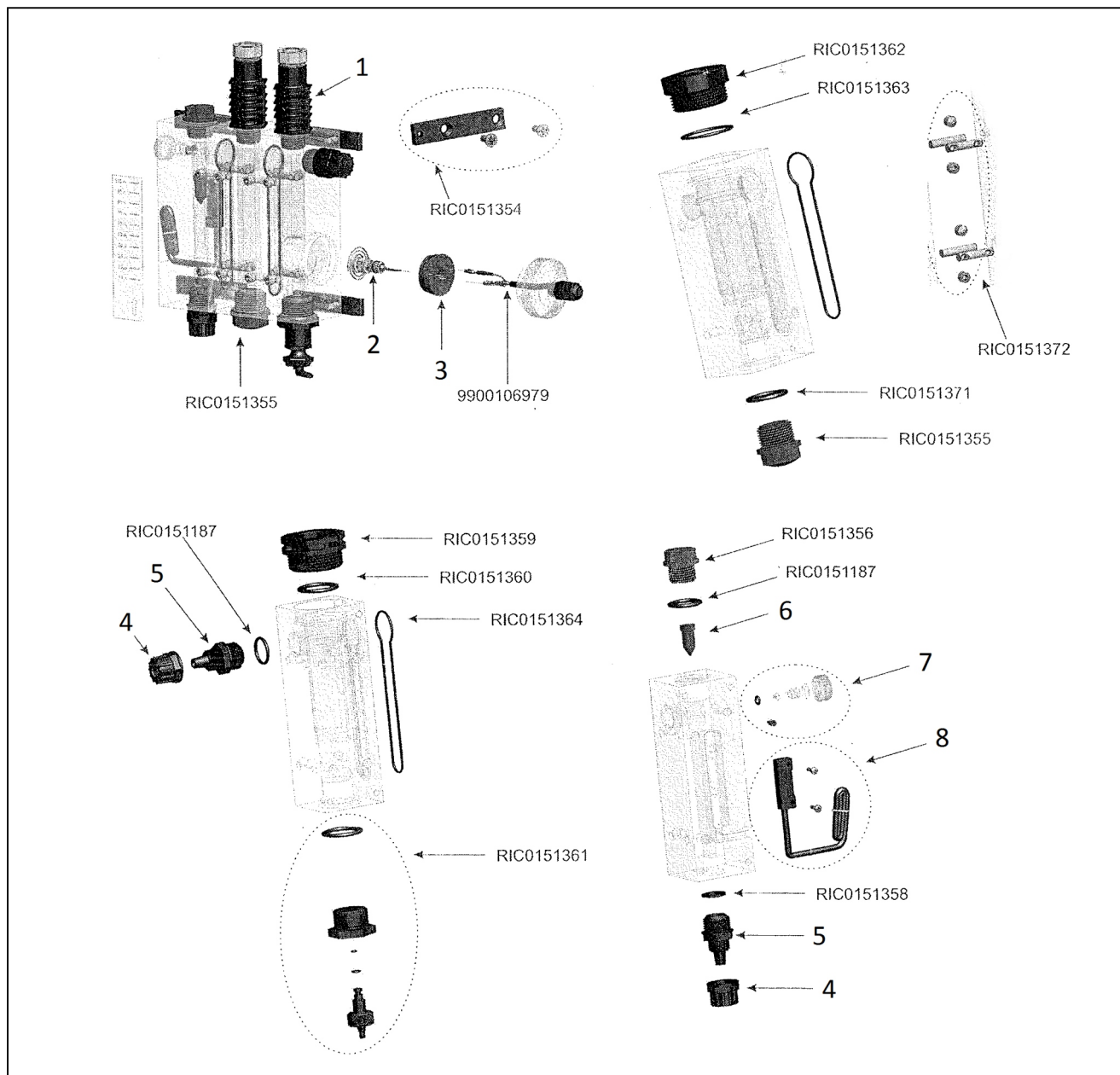
detail	identifikace	popis
1		Polep VA salt Smart CP10-25
2	BS1025010	Náhradní displej VA salt Smart CP10
3	BSS100011	Elek. deska (měřící) VA salt Smart CP10
3	BSS150011	Elek. deska (měřící) VA salt Smart CP15
3	BSS200011	Elek. deska (měřící) VA salt Smart CP20
3	BSS250011	Elek. deska (měřící) VA salt Smart CP25
4	BS1015001	Elek. deska (nap) VA salt Smart CP10-15
4	BS2025001	Elek. deska (nap) VA salt Smart CP20-25
5	BS1025011	Elek. deska (pH) VA Salt Smart
6	RIC0151005	Náhradní dávk.perist pumpa stan.VA dos

CELA VA SALT KOMPLET C10P, C15P, C20P, C25P










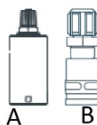
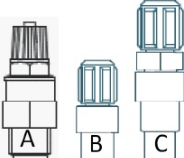

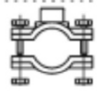

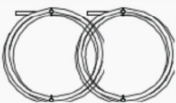

<i>detail</i>	<i>identifikace</i>	<i>popis</i>
1	BS0000002	Šroubení pouzdra cely VA salt CP10-25
2	BS0000003	O-kroužek cely malý CP10-25
3	BS0000004	O-kroužek víka pouzdra velký CP10-25
4	BS0000008	Víko cely VA salt světle modré CP10-25
5	BS0000006	Pouzdro cely VA salt
6	BS0000007	Modrý obal pouzdra cely VA salt CP10-25
7+4+2	BS1000003	Cela VA salt CP10
7+4+2	BS1500003	Cela VA salt CP15
7+4+2	BS2000003	Cela VA salt CP20
7+4+2	BS2500003	Cela VA salt CP25
8	BS0000009	Propoj. kabel cely a stan. VA salt CP10-25

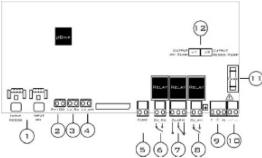

NÁHRADNÍ DÍLY SEKO CELA K800



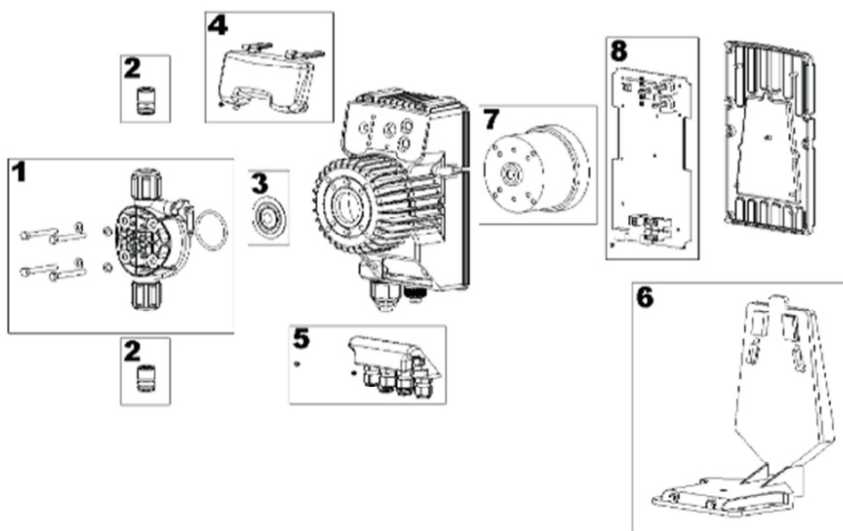
detail	identifikace	popis
1	9900106670	Držák sondy Seko
2	RIC0151025	Sonda FCL Platin.část K800 Seko
3	RIC0151034	Sonda FCL Měděná část K800 Seko
4	9900107021	Matice pro trn hadicový 8mm cela K800
5	0000060002	Trn hadicový 1/2"x8mm cela K800
6	RIC0151171	Magnet.plovák cela K800/95 průh.
7	RIC0151357	Regulace průtoku pro celu K800 průh.
8	RIC0151161	Senzor průtoku cela K800/95 průh.

NÁHRADNÍ DÍLY SEKO

	S9900103021	Kartuš. filtr s držákem sondy – VA DOS EXACT / K800
	CRLNMN05020000	Kartuš 20 micron - VA DOS EXACT/K800/PC95 (průhledná cela)
	CRLNMN04080000	Kartuš 80 micron - K800 (starší modrá cela)
	0000060002	Trn hadicový 1/2" x 8mm <i>napojení na průhlednou celu K800</i>
	9900107021	Matice pro trn hadicový 8mm
	S9900106234	Hadička perist. čerpadla – TENKÁ – 0,4l (3x7mm)
	S9900090057	Hadička perist. čerpadla – NORMAL – 1,5l (6x10mm)
		<i>Pro všechny peristaltické pumpy SEKO</i>
	S9900151024	Válečková hlava peristaltických čerpadel
		<i>Pro všechny peristaltické pumpy SEKO</i>
	RIC0151005	Náhradní dávk. perist. pumpa – stan. VA DOS
		<i>Pro všechny stanice SEKO s peristaltickými pumpami</i>
	S000006411600	Plastový kryt pro peristaltické pumpy VA DOS BASIC/EXACT
	S9900106809	Plastový kryt pro peristaltickou pumpu 93REF
	S9900106809	Plastový kryt pro časovou peristaltickou pumpu 93DYN
	A – 9900107026	Sací košíček SEKO <i>(peristalt. pumpy)</i>
	B - S9900107122	Sací košíček SEKO PVDF <i>(TEKNA pumpy)</i>
	A - S9900071016	Vstřikovací ventil do potrubí <i>(peristalt. pumpy)</i>
	B - EM99106023	Vstřikovací ventil do potrubí FPM <i>(za starší černý)</i>
	C - S9900107163	Vstřikovací ventil do potrubí PVDF <i>(TEKNA 603-800 pumpy)</i>
	C - S9900107115	Vstřikovací ventil do potrubí PVDF <i>(TEKNA 803 pumpy)</i>
	0228603002	Redukce pro vstřikovací ventil A <i>(peristalt. pumpy)</i> - 1/2"EX // 3/8"IN
	0219605003	Navrtávací díl 50-1/2"IN
	0219606303	Navrtávací díl 63-1/2"IN
	9900106670	Držák sondy SEKO
	EM99106005	Vstřikovací hadička TEKNA (4m) – matná, bílá
	EM99106006	Sací hadička TEKNA (2m) – průhledná
	0513600002	Kulový mosazný ventil 1/2"IN / 1/2"EX – K800/VA DOS EXACT
	S9900123002	Kulový plastový ventil 1/2"IN / 1/2"EX – K800/VA DOS EXACT

	S9900107301 RIC0151433 RIC0151434 S9900107304 S9900107305 S9900107302	Elektronika VA DOS BASIC CHLOR Elektronika VA DOS BASIC OXY Elektronika VA DOS BASIC FLOC Elektronika VA DOS EXACT Elektronika VA PRO SALT Elektronika VA PRO SALT pH
	S9900107253 S9900107300 S9900107293	Elektronika VA DOS PREMIUM – <i>napájecí</i> Elektronika VA DOS PREMIUM – <i>měřící</i> Elektronika VA DOS PREMIUM – <i>časový obruh</i>
	S9900106937 S9900106938 S9900106939 S9900107250	Elektronika K800 PR – <i>komplet</i> – (<i>napájecí/měřící/displej</i>) Elektronika K800 PC – <i>komplet</i> – (<i>napájecí/měřící/displej</i>) Elektronika K800 PCR – <i>komplet</i> – (<i>napájecí/měřící/displej</i>) Elektronika K800 PTCR – <i>komplet</i> – (<i>napájecí/měřící/displej</i>)
	EM99106434 EM99106536 EM99106540	Elektronika – <i>Tekna AKL 603</i> Elektronika – <i>Tekna TPR 603</i> Elektronika – <i>Tekna TCK 603</i>
	EM99106002 EM99106140	Elektronika – <i>Tekna DPR 601/602</i> Elektronika – <i>Tekna DCK 601/602</i>
	920SPR230	Elektronika – VA DOS BASIC/EXACT – (<i>časový modul pro stanice VA DOS na malé bazénky, viřivky</i>)
		S0000637223 S0000637224 S0000637270 S0000637225 S0000637228 RIC0151194

NÁHRADNÍ DÍLY SEKO PUMPA TEKNA



TEKNA - DPR / DCK / AXL

starý typ dávkovací pumpa

1	EM99106070	Kompletní hlava dávk. čerpadla – <i>Tekna DPR</i>
1-1	EM99106039	Odvzdušňovací ventil – <i>Tekna DPR</i>

TEKNA - TPR / TCK / TPG / AKL

nový typ dávkovací pumpa

1	EM99106490	Kompletní hlava dávk. čerpadla – <i>Tekna AKL/TPR/TCK</i>
1-1	EM99106692	Odvzdušňovací ventil – <i>Tekna AKL/TPR/TCK</i>
2	EM99070105 EM99070106	Sada ventilků do hlavy – <i>Tekna 603-800 AKL/TPR/TC</i> Sada ventilků do hlavy – <i>Tekna 803 AKL/TPR/TCK</i>
3	EM00050009	Membrána – <i>Tekna AKL/TPR/TCK</i>
4	EM99106001	Kryt displeje – <i>Tekna AKL/TPR/TCK</i>
5	EM99106497 EM99106498	Kabelové průchodky – <i>Tekna AKL/TCK</i> Kabelové průchodky – <i>Tekna TPR</i>
6	EM99106004	Držák na zeď – <i>Tekna AKL/TPR/TCK</i>
7	EM99054017	Elektromagnet – <i>Tekna AKL/TPR/TCK</i>
9	EM99106714 EM99106715 EM99106762	Kit klávesnice – <i>TEKNA TPR</i> Kit klávesnice – <i>TEKNA TPG</i> Kit klávesnice – <i>TEKNA TCK</i>