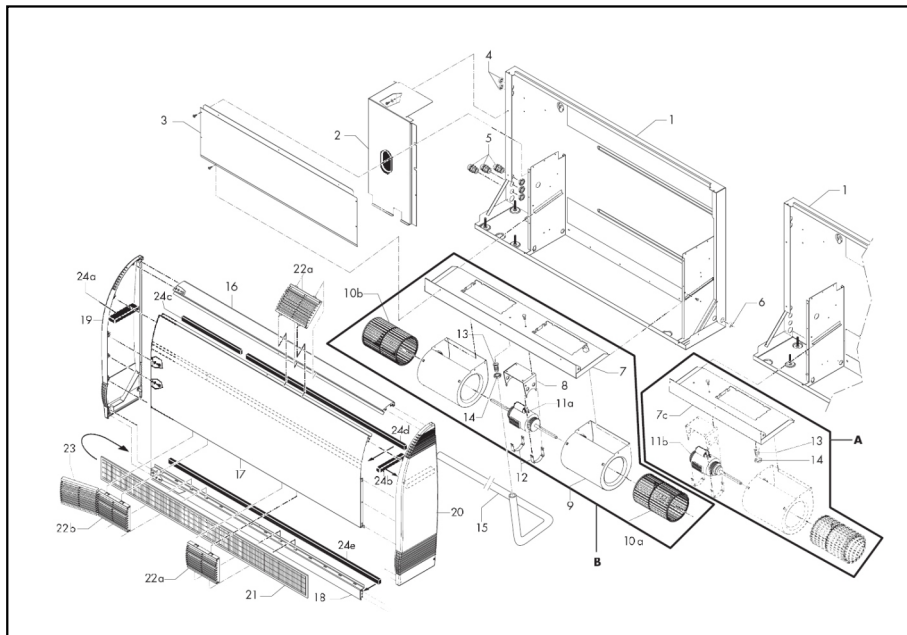


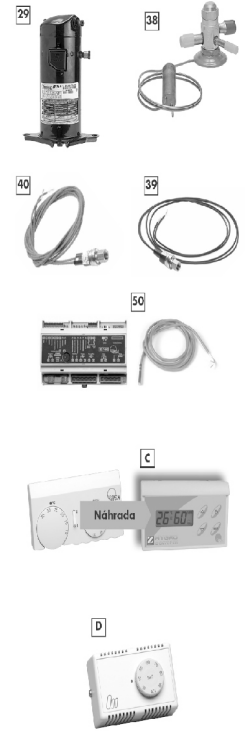
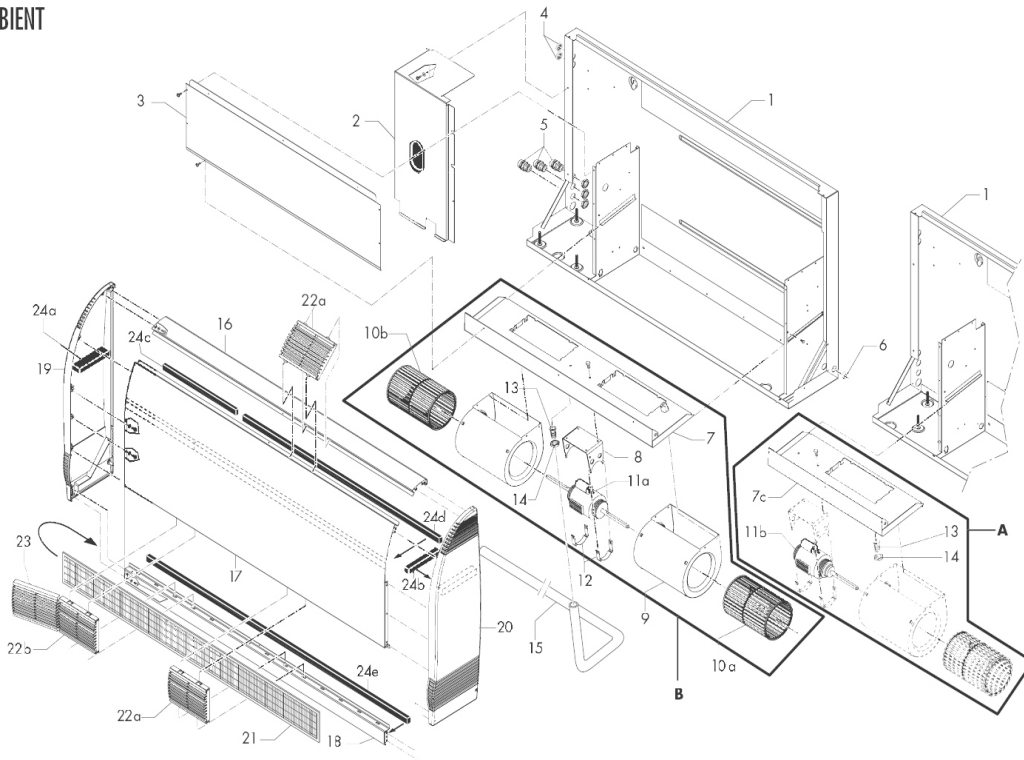
# ODDÍL M

# ODVLHČOVAČE DEHUMIDIFIERS



# ODVLHČOVAČ SIROCCO 55 80 110 - (DT 850) / DEHUMIDIFIERS

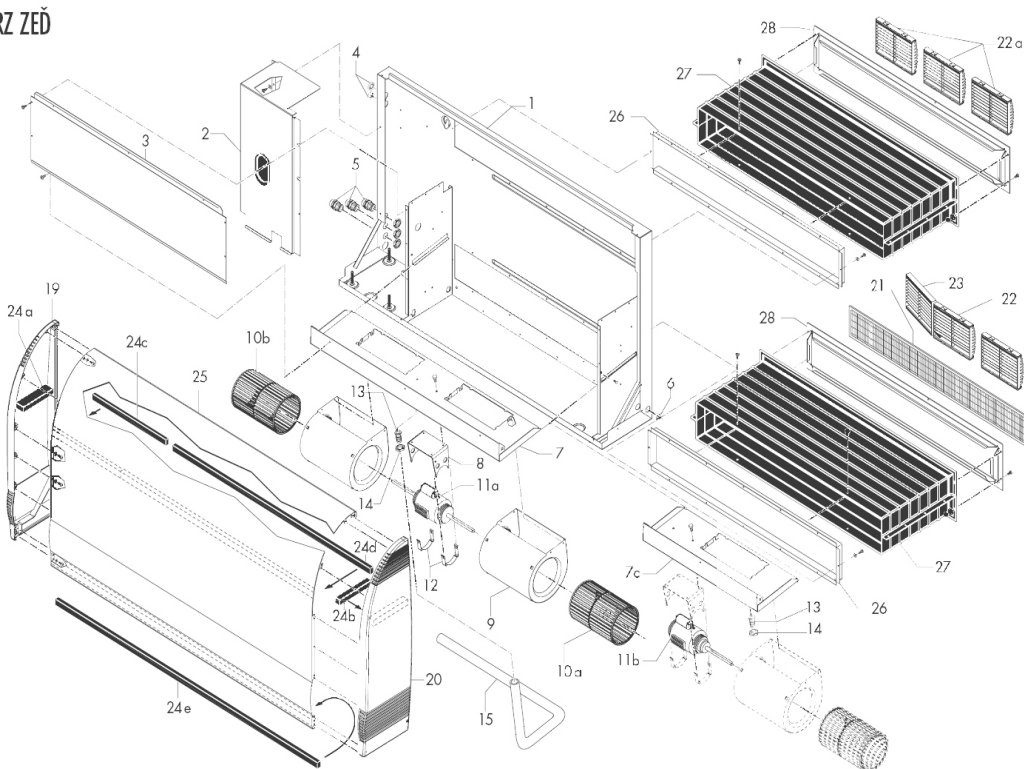
## AMBIENT



Typ	Ambient	Skrz zeď
55	8F + 1M	4F + 1M
80	10F + 1M	6F + 1M
110	12F + 1M	8F + 1 M

F = Fixe (Pevný); M = Přenosný + Pevný

## SKRZ ZEĎ



# ODVLHČOVAČ SIROCCO 55 80 110 - (DT 850) / DEHUMIDIFIERS

detail	identifikace	popis
44	WCE01312	Defrosting sensor (grey)
45	WCE01311	Extractor sensor (black)
50	WCE06000	Regulator ECP600
54	WSG01934	Compressor condenser C2 25 $\mu$ F (SIROCCO 55)
54	WSG01937	Compressor condenser 35 $\mu$ F (SIROCCO 80)
54	WSG01939	Compressor condenser 40 $\mu$ F (SIROCCO 110)
56	WSG01935	Ventilator condenser 3 $\mu$ F (SIROCCO 55, 80, 110)
57	W20REDE	Starter relay (SIROCCO 55)
A	WTC03074	Ventilation set (SIROCCO 55)
B	WTC03075	Ventilation set (SIROCCO 80)
B	WTC03076	Ventilation set (SIROCCO 110)
C	WCE03430	Hygro control + sensor**
C	WCE03431	Hygro control sensor
D	WCE01314	Standard wall hygrostat
30-29	WTC03072	Compressor (SIROCCO 80) ZR18K4 single ph.
30-29	WCO02576	Compressor (SIROCCO 110) ZR22K3 single ph.
32-31	WTC03071	Compressor (SIROCCO 55) RK5512C single ph
32-31	WCO03848	Compressor (SIROCCO 110) 3 ph.
38	WTC03070	Expansion valve TX3 N13 407C (SIROCCO 55)
38	WAC02497	Expansion valve TX3 N34 407C (SIROCCO 80)
38	WAC02498	Expansion valve TX3 N35 407C (SIROCCO 110)
39	WJC01669	HP pressure switch 20/26-b
40	WJC01668	LP pressure switch 0.5/2-b
41	WCY00995	Dehydrator 053S
21	WSD01913	Filter (SIROCCO 55 Ambient) Size 135 x 940 mm
21	WSD01914	Filter (SIROCCO 80 Ambient) Size 135 x 1130 mm
21	WSD01915	Filter (SIROCCO 110 Ambient) Size 135 x 1320 mm
21	WSD01911	Filter (SIROCCO 55 Through-the-wall) Size 135 x 560 mm
21	WSD01912	Filter (SIROCCO 55 Through-the-wall) Size 135 x 750 mm
21	WSD01913	Filter (SIROCCO 55 Through-the-wall) Size 135 x 940 mm
22a	WIB01637	Fixed grate
23-22b	WGRILSIROCO	Removable + fixed grate
63	WJP01682	Manual overheating thermostat
64	WJP01681	Automatic overheating thermostat

detail	identifikace	popis
1	WAM01000	Ventilator motor DT 850 E
1	WAM01004	Electronic card DT 850 E
1	WAM 01005	Display DT 850 E
1	WAM00987	Ventilator motor
2	W28HYGRO	Hygrostat
3	WAM00981	Defrosting clock 15.1
3	WAM00990	Defrosting clock 14.1
3	WSG01934	Compressor condenser 25 $\mu$ f
4	WAM03080	Compressor RG171JT (DT850)
4	WAM01001	Compressor DT 850 E to R407C
4	WAM01002	Compressor DT 850 E to R410A
6	WAM01003	Turbine DT 850 E
6	WAM01006	Lexan DT 850 E
5	W28FIDT5	Filter give the type - DT800 or DT850 or DT850E
6	WAM03069	Turbine give the type - DT800 or DT850

