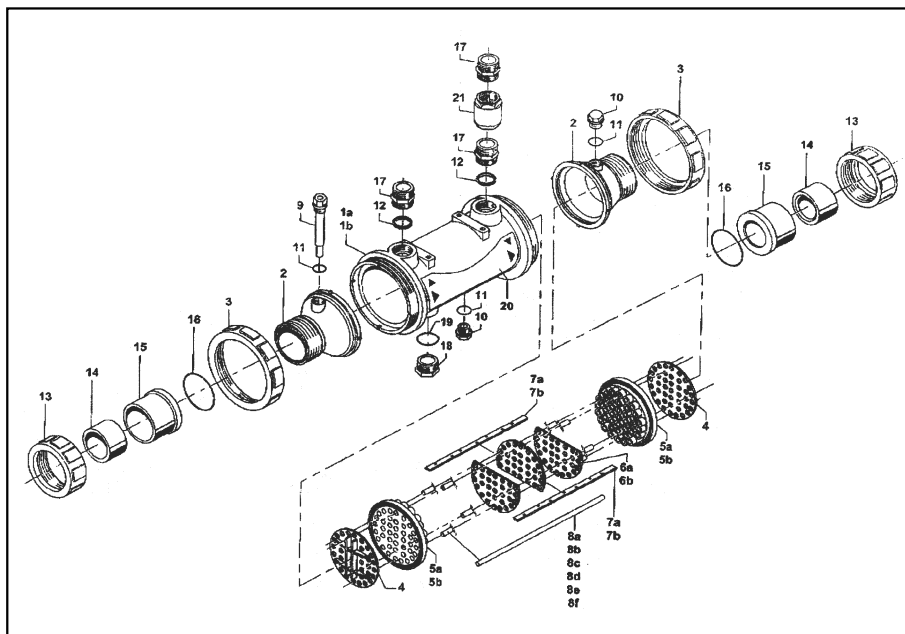
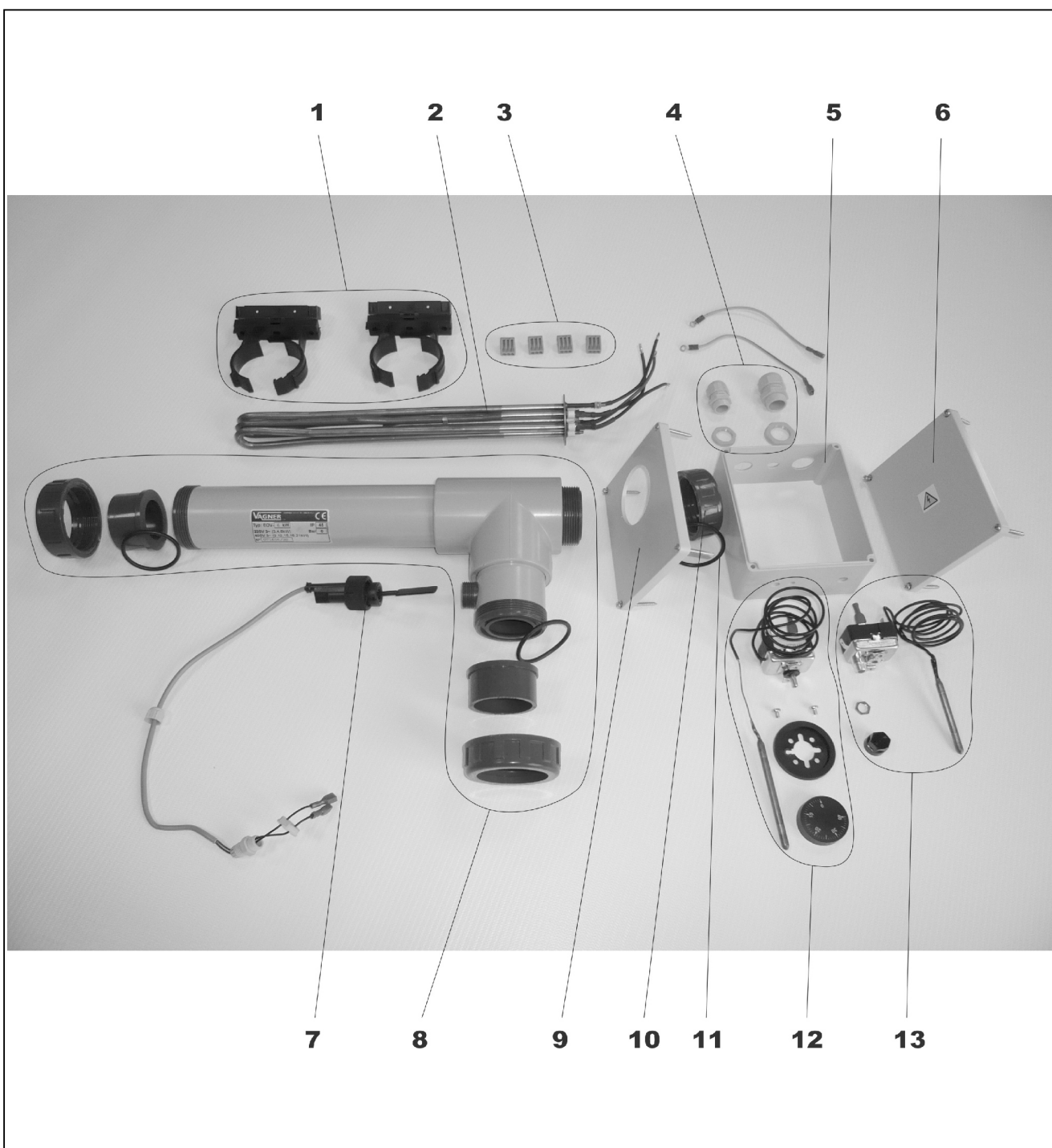


ODDÍL E

VYTÁPĚNÍ HEATING

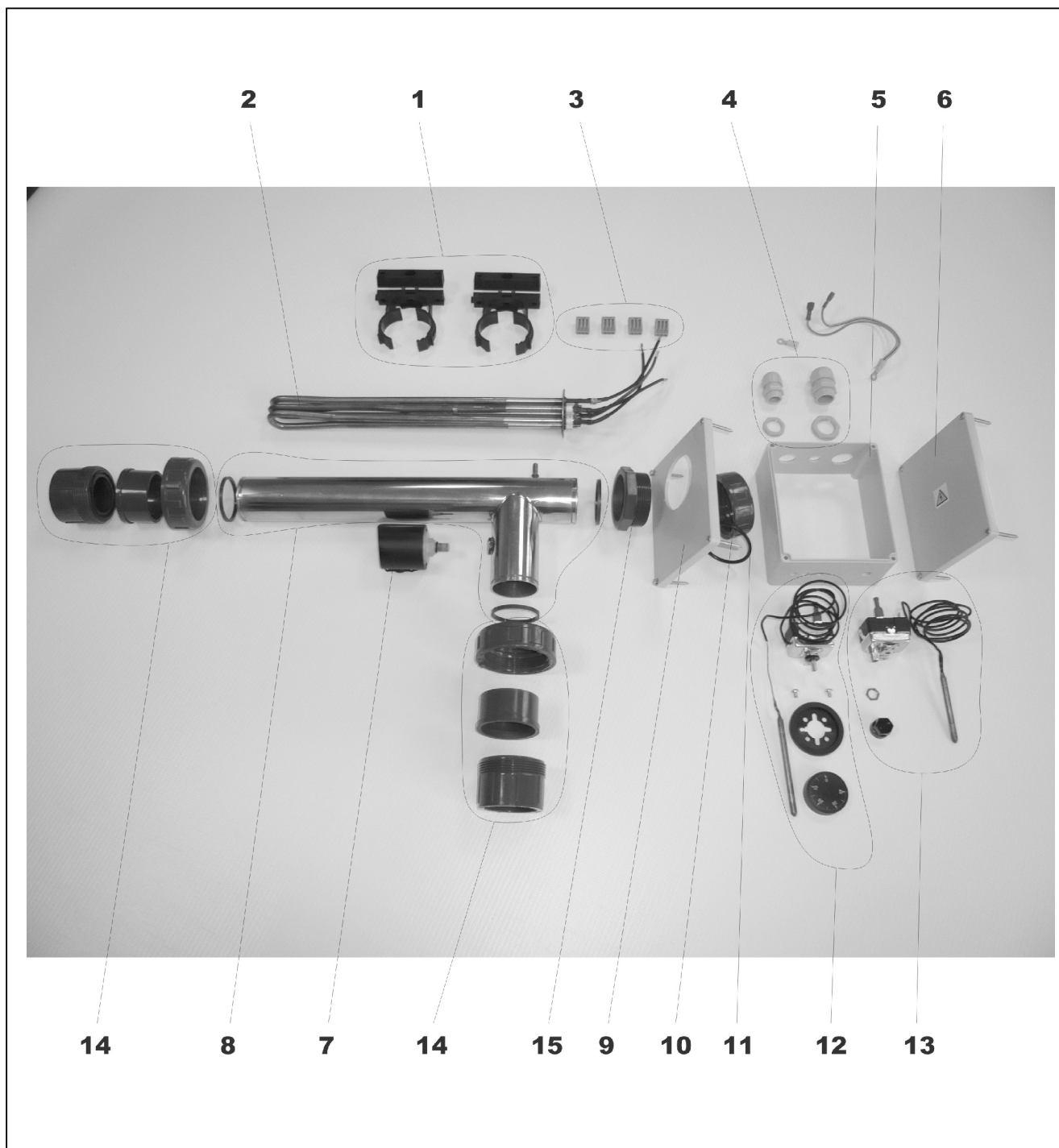


TOPENÍ PLAST A TITAN



detail	identifikace	popis
1	0606950	Trubková svorka 60-65mm Pipe bracket 60-65mm
2	58090....	Topná patrona nerez 3,6,9,12,15,18kW Heat element
2	5819....	Topná patrona titan 3,6,9,12kW Heat element
3	520/222413	Svorka WAGO třípolová 32A Clamp
4	52090....	Průchodka PG16,PG11 a PG7 Adaptor socket connection
5	580100006	Krabice na topení-střední díl Box of heating - in the middle
6	580100009	Krabice na topení-víčko plné Box of heating - cover full
7	5809595	El.přítoková klapka El.flow switch
8	580120601	Topení plast i titan PVCC tělo 6kW Body plast end titan

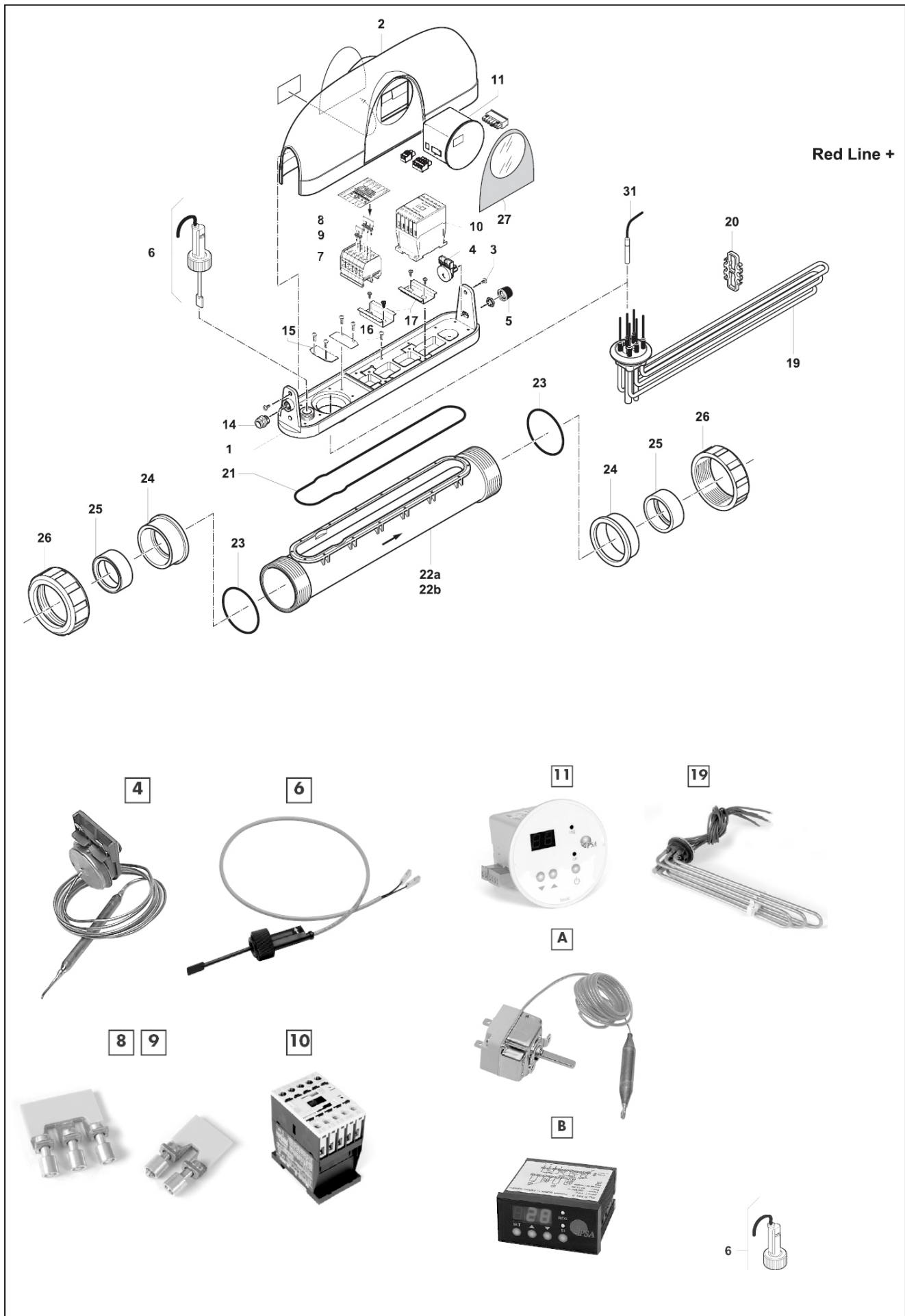
detail	identifikace	popis
8	580121201	Topení plast i titan PVCC tělo 9,12kW Body plast end titan
8	580111801	Topení plast PVCC tělo 15,18kW Body plast
9	580100008	Krabice na topení-víčko =D 60mm Box of heating - cover =D 60mm
10	0336110042	Převlečná matka Compression nut
11	51905040	O-kroužek k převl.matce O-ring of compression nut
12	5809591	Termostat 0-40st komplet Thermostat 0-40st complete
13	5809560	Tepelná pojistka Heat fuse



detail	identifikace	popis
1	0606940	Trubková svorka 47-51mm Pipe bracket 47-51mm
2	58090...	Topná patrona nerez 3,6,9,12,15,18kW Heat element
3	520/222413	Svorka WAGO třípolová 32A Clamp
4	52090....	Průchodka PG16 a PG11 Adaptor socket connection
5	580100006	Krabice na topení-střední díl Box of heating - in the middle
6	580100009	Krabice na topení-víčko plné Box of heating - cover full
7	5809593	Tlakový spínač Pressure switch
8	580100601	Nerezové tělo 1,5, 3,4,6 kW Body stainless
8	580101201	Nerezové tělo 9,12kW Body stainless

detail	identifikace	popis
8	580101801	Nerezové tělo 15,18kW Body stainless
8	580102101	Nerezové tělo 21kW Body stainless
9	580100008	Krabice na topení-víčko =D 60mm Box of heating - cover =D 60mm
10	0336110042	Převlečná matka Compression nut
11	51905040	O-kroužek k převl.matce O-ring of compression nut
12	5809591	Termostat 0-40st komplet Thermostat 0-40st complete
13	5809560	Tepelná pojistka Heat fuse
14		Šroubení 50mm stočené Unions connection
15		Manžeta se závitem 2"ex Flange adaptor 2"ex

xxx Red Line and RE/DC



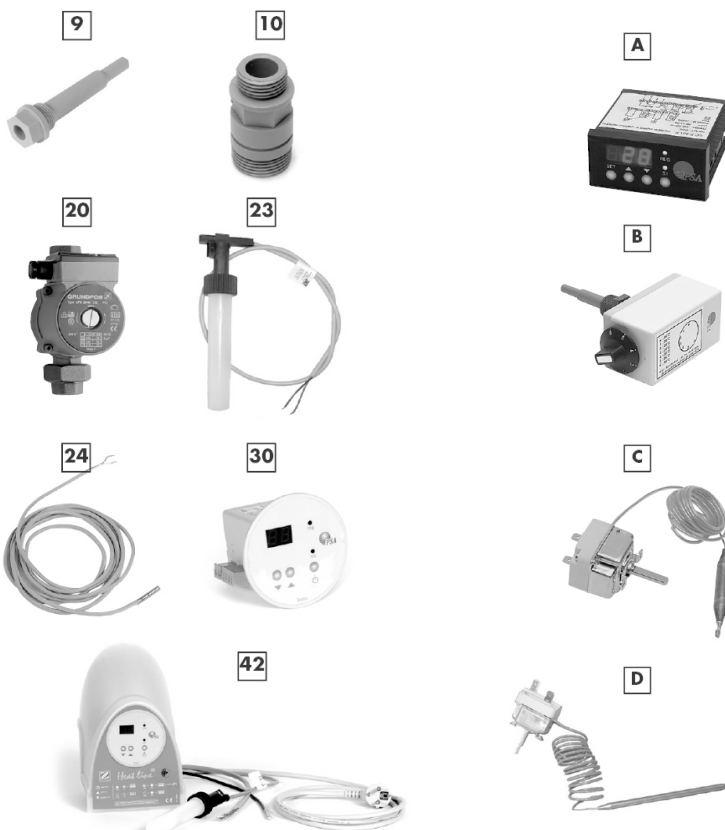
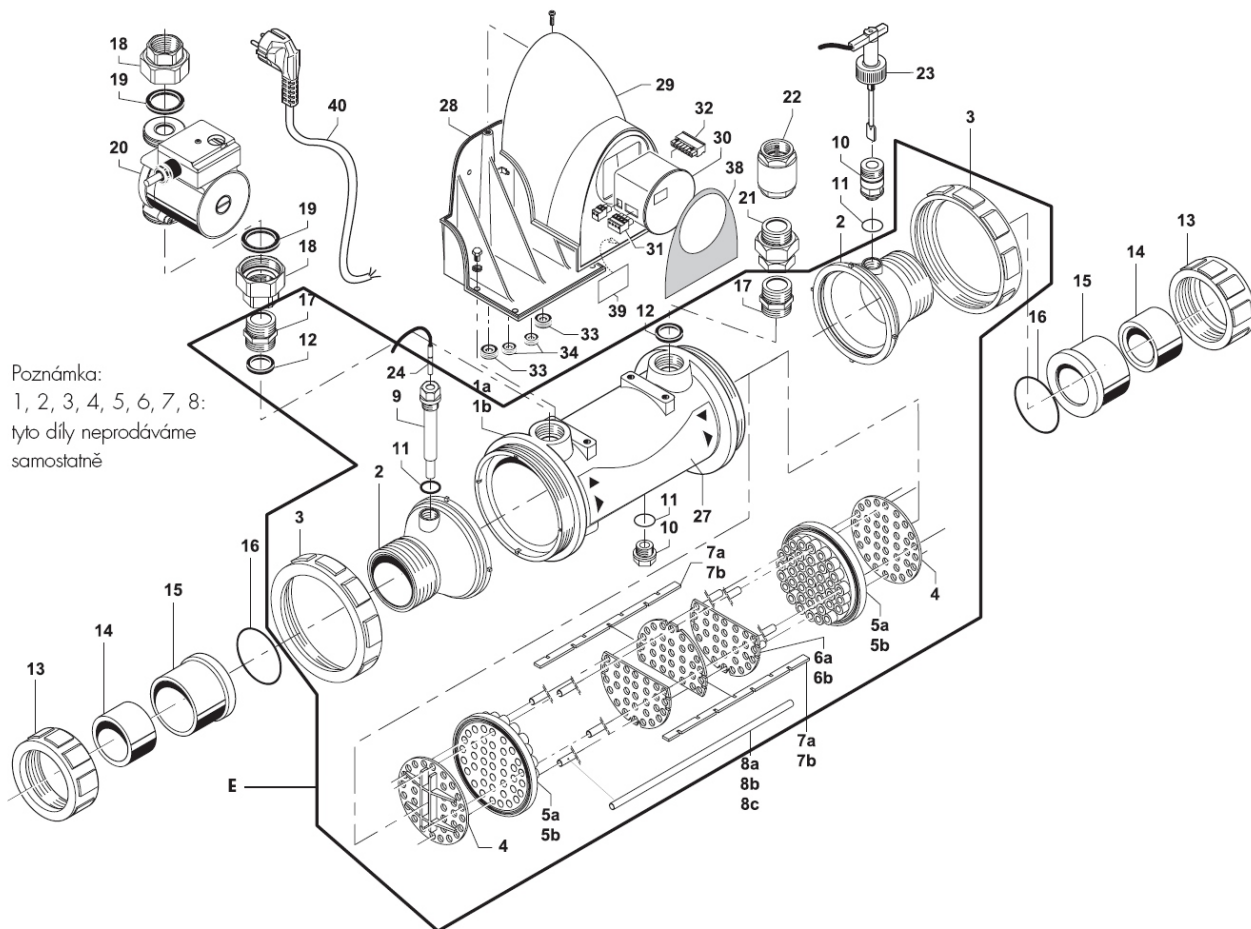
xxx Red Line and RE/DC

detail	identifikace	popis
4	WIN01641	Safety thermostat 63° (RE/U, RE/I, RE/DE, RE/LE)
	WSK02015	Noryl flow switch for Red Line
6	WSK02015	Noryl flow switch for RE/DC
7	WCC01289	Elec. connection terminals (RE/LE and Red line)
8	WCC01287	Shunt for switching from three to single phase
9	WCC01288	Shunt for switching from three to single phase
10	WCF01066	Contactors DILM9-10 (RE/U RE/I mp RE/LE RE/DE) 30 to 48
11	WCE02684	Timed regulator ECP 200
19 20 21	WKITRES3C	Elbowed resistance 3 kW titanium + joint
19 20 21	WKITRES6C	Elbowed resistance 6 kW titanium + joint
19 20 21	WKITRES9C	Elbowed resistance 9 kW titanium + joint
19 20 21	WKITRES12C	Elbowed resistance 12 kW titanium + joint
13	WCE01311	Digital thermostat sensor PTC 100
A	WEG01404	Regulation thermostat (Red Line) O10 mm
B	WCE01308	Timed regulator ECP 233 (RE/DC)
	WSX03025	Red Line orange on/off switch
		OSTATNÍ
21 1	WIB02691	Red Line base + (+joint)
2	WKITCAPOTRDE	Red Line cover + & adhesive

detail	identifikace	popis
21 22	WIB01596	Red Line+ body 3 kW, 6 kW
21 22	WJW01662	Moulded joint 752 X 4
21 22	WJW01661	Joint 66.27 x 3.53
21 22	WIB01597	Red Line+ body 9 kW, 12 kW
21 22	WJW01662	Moulded joint 752 X 4
21 22	WJW01661	Joint 66.27 x 3.53
23 24 25 26	W40RDU	2 1/2 union connections O 63 + reducer O 50 (RE/DE)

V případě zájmu objednání náhradních dílů, prosím uveďte seriové číslo ohřevu.

xxx Heat Line Plus - EC/K - EC/C



xxx Heat Line Plus - EC/K - EC/C

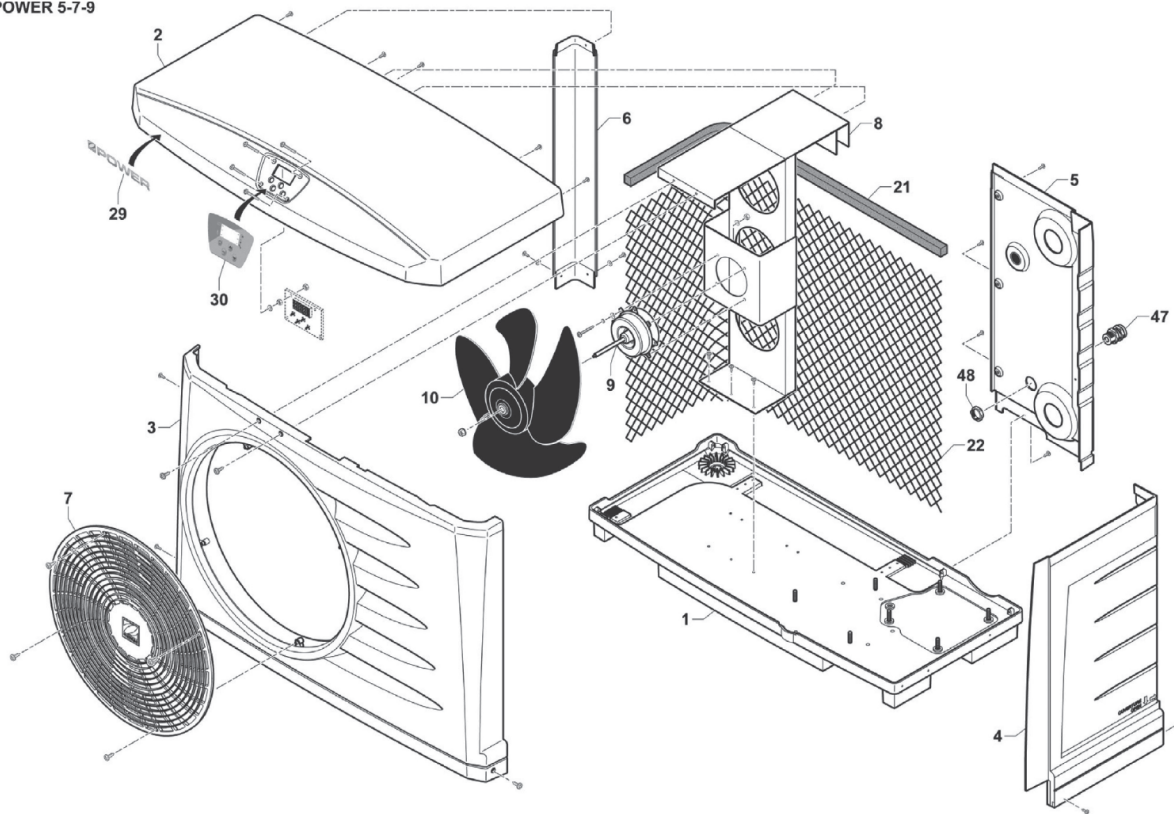
detail	identifikace	popis
18 19 20	W49CC4	Circulator 2 m3 25/40 (EC/C, EC/K, Heat Line+) with 26/34 connection + joint
23	WSK02022	Noryl flow switch
24	WCE01311	Digital thermostat sensor PTC
30	WCE02684	Timed regulator ECP200 (Heat Line+)
10 23 42	W49COFKT	Electric box (Heat Line+) and height adjuster with flow switch
A	WCE01308	Timed regulator (ECP233 Heat Line boxed) since 1997
B	W20KD02	Aquastat 16/40° with glove finger 15/21M (basic HEAT LINE)
C	WEG01404	Regulation thermostat 16/40° C bulb O 10 mm
D	WEG01405	Regulation thermostat 16/40 bulb O 6 mm
	WCE02925	Regulator FK151 (before 1997)
OSTATNÍ		
9 11	WIB01625	Threaded polyamide glove finger 15/21 male
9 11	WJW01667	Joint
10 11	WIB01611	Height adjuster for flow switch
10 11	WJW01667	Joint
13 14 15 16	W40RDU	2 1/2 union connections O 63 + adjusters O 50 (Heat Line)
22	WCL03431	Check valve 26/34
11 25	WIB01609	Cap 15/21
	WIB02695	Heat Line cover with sticker

detail	identifikace	popis
E	WKITCUVE20KT	20 kW TITANIUM tank without valve 26/34
E	WKITCUVE40KT	40 kW TITANIUM tank without valve 26/34
E	WKITCUVE70KT	70 kW TITANIUM tank without valve 26/34
	WKITDGT	Flat glove finger + Joint + Nut
	WNS01751	Cap 20/27 Female
	WNS01780	Joint 20/27

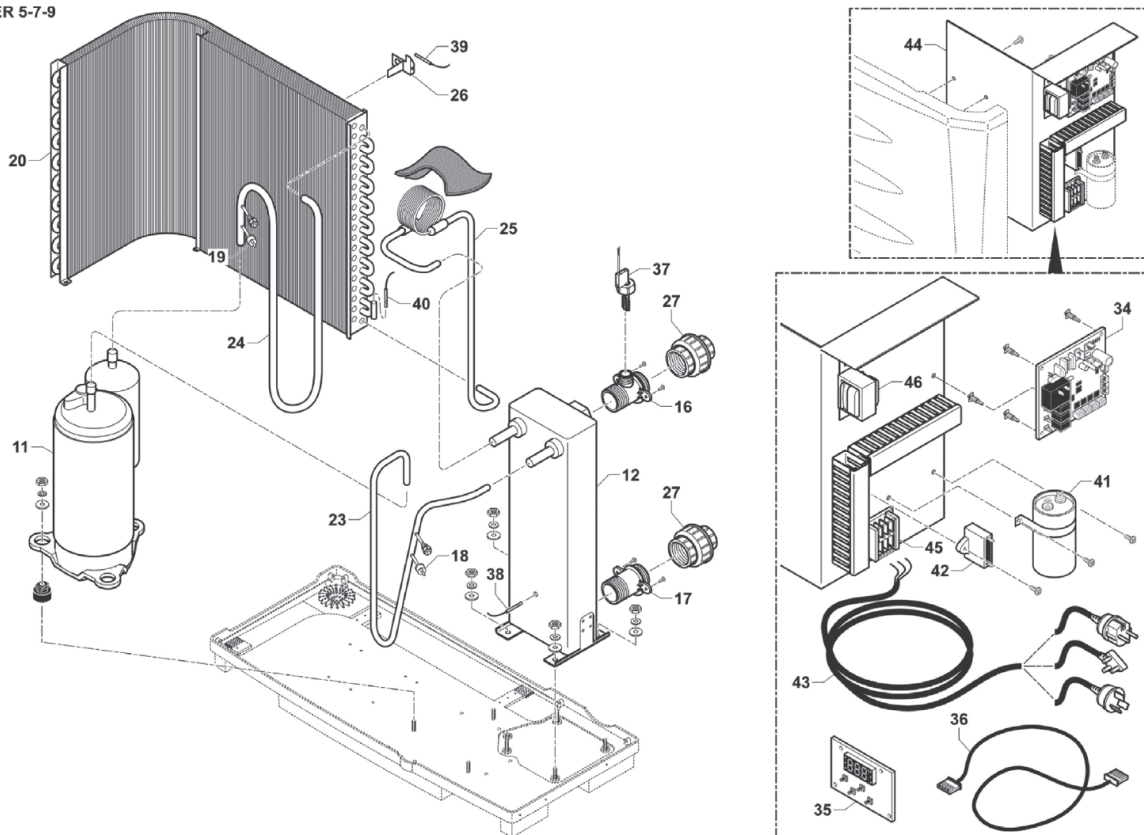
V případě zájmu objednání náhradních dílů, prosím uveďte seriové číslo ohřevu.

TEPELNÁ ČERPADLA POWER 5 - 7 - 9 / HEAT PUMPS

POWER 5-7-9



POWER 5-7-9

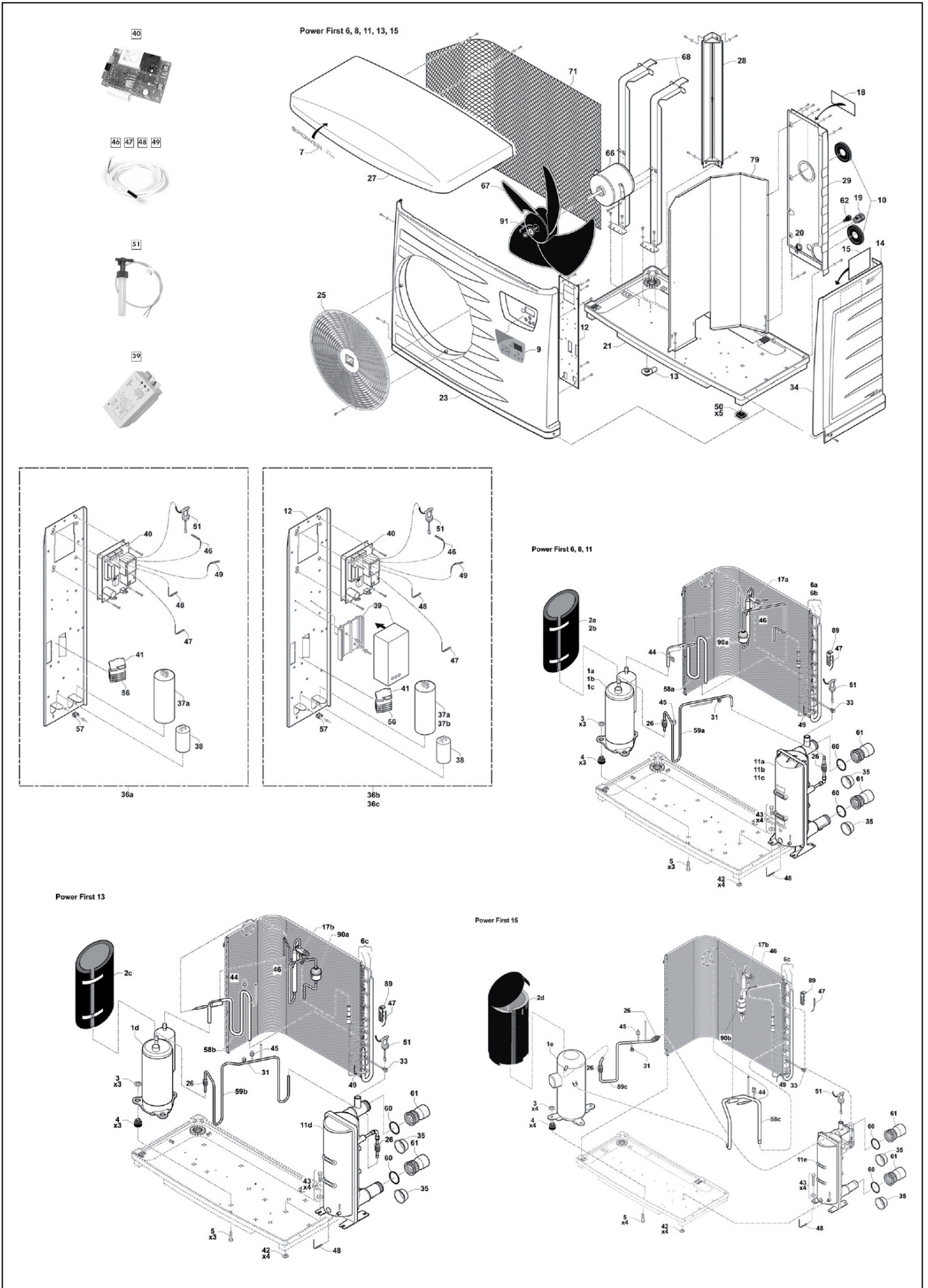


TEPELNÁ ČERPADLA POWER 5 - 7 - 9 / HEAT PUMPS

detail	identifikace	popis
1	WWA01001	Base
2	WWA01002	Cover
3	WWA01003	Front panel
4	WWA01004	Technical Door
5	WWA01005	Rear panel
6	WWA01006	Angle
7	WWA01007	Grid
8	WWA01008	Fan Support
9	WWA01009	Motor Fan
10	WWA01010	Fan
11	WWA01011	Compressor 5 kW
11	WWA01012	Compressor 7 kW
11	WWA01013	Compressor 9 kW
12	WWA01014	Heat Exchanger 5 kW
12	WWA01015	Heat Exchanger 7 kW
12	WWA01016	Heat Exchanger 9 kW
16	WWA01019	Water connection with pipe
17	WWA01020	Water connection without pipe
18	WWA01021	Pressure switch HP
19	WWA01022	Pressure switch LP
20	WWA01023	Evaporator 5 kW <i>(with distributor & collector)</i>
20	WWA01024	Evaporator 7 kW <i>(with distributor & collector)</i>
20	WWA01025	Evaporator 9 kW <i>(with distributor & collector)</i>
21	WWA01026	Angle bracket for evaporator
22	WWA01027	Evaporator protection
23	WWA01028	Output compressor piping 5 kW
23	WWA01029	Output compressor piping 7 kW
23	WWA01030	Output compressor piping 9 kW
24	WWA01031	Suction compressor piping 5 kW
24	WWA01032	Suction compressor piping 7 kW
24	WWA01033	Suction compressor piping 9 kW
25	WWA01034	Output heat exchanger with <i>capillary to ended filter 5 kW</i>
25	WWA01035	Output heat exchanger with <i>capillary to ended filter 7 kW</i>
25	WWA01036	Output heat exchanger with <i>capillary to ended filter 9 kW</i>
26	WWA01037	Air temperature sensor support

detail	identifikace	popis
27	WWA01038	Water connection 3 parts
29	WWA01039	Sticker Power
30	WWA01040	Lexan
34	WWA01041	PCB Board
35	WWA01042	User Interface
36	WWA01043	Link cable (PCB - User interface)
37	WWA01044	Water flow switch
38	WWA01045	Water Temperature sensor
39	WWA01046	Air Temperature sensor
40	WWA01047	Defrost Temperature sensor
41	WWA01048	Compressor condensator 5 kW 30 µF
41	WWA01049	Compressor condensator 7 kW 40 µF
41	WWA01050	Compressor condensator 9 kW 50 µF
42	WWA01051	Fan condensator 2 µF
43	WWA01055	Electric cable (French version)
43	WWA01056	Electric cable (Australian version)
43	WWA01057	Electric cable (South Africa version)
44	WWA01052	Electrical plate complete <i>(without compressor condensor)</i>

TEPELNÁ ČERPADLA POWER 6 - 8 - 11 - 13 - 15 / HEAT PUMPS

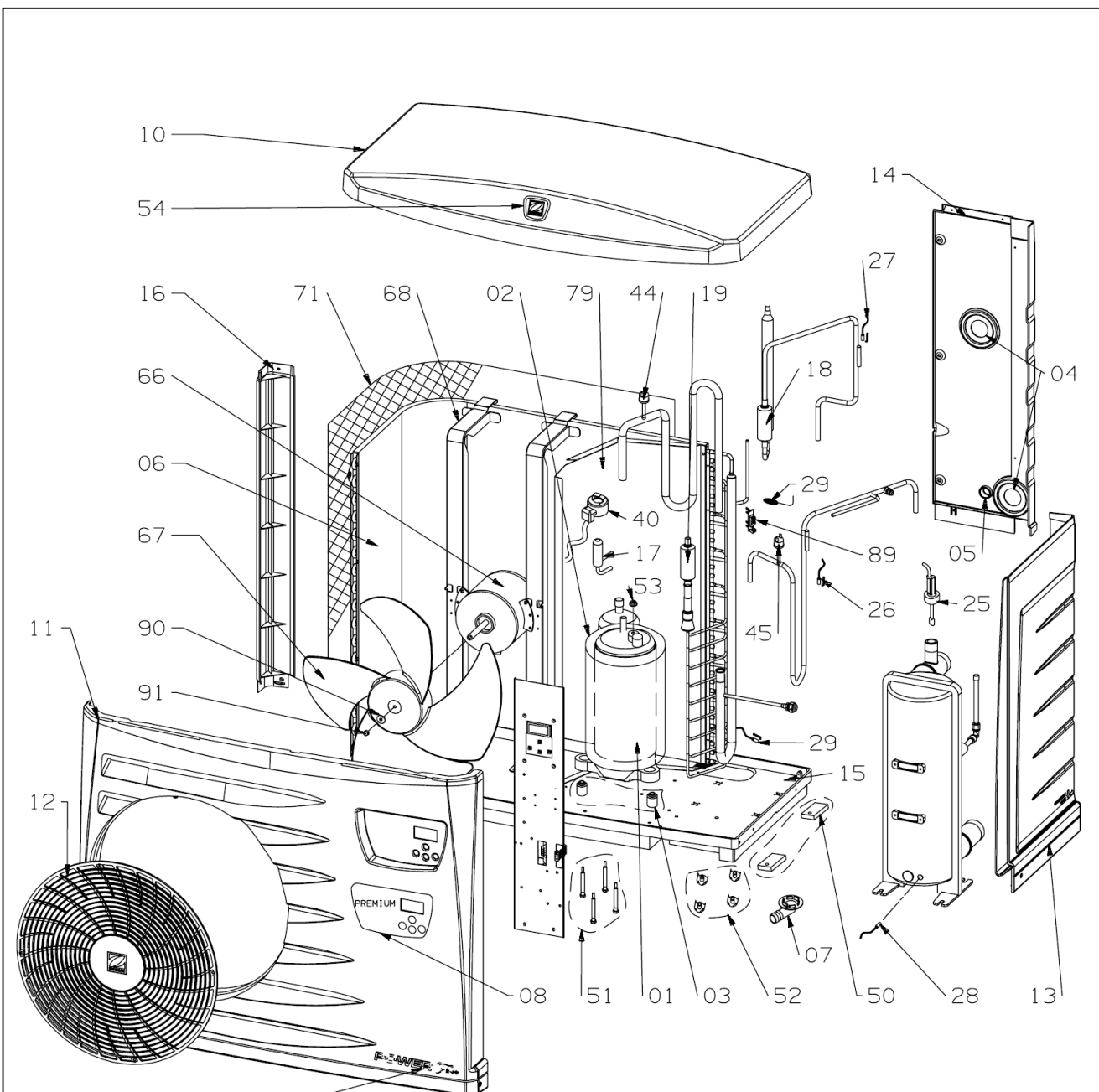


TEPELNÁ ČERPADLA POWER 6 - 8 - 11 - 13 - 15 / HEAT PUMPS

detail	identifikace	popis
1a	WTC03827	Monophase Powerfirst 6 compressor
1b	WTC03828	Monophase Powerfirst 8 compressor
1c	WTC03870	Monophase Powerfirst 11 compressor
1d	WTC03900	Monophase Powerfirst 13 compressor
1e	WTC03904	Monophase Powerfirst 15 compressor
6a	WTC03894	Evaporator battery for <i>Powerfirst 6 and 8 single</i>
6b	WTC03899	Evaporator battery for <i>Powerfirst 11 single</i>
6c	WTC03902	Evaporator battery for <i>Powerfirst 13 and 15 single</i>
11a	W20COND6KW	Condensor for Powerfirst 6 single
11b	W20COND7.5KW	Condensor for Powerfirst 8 single
11c	W20COND9.5KW	Condensor for Powerfirst 11 single
11d	W20COND13KW	Condensor for Powerfirst 13 single
11e	W20COND25KW	Condensor for Powerfirst 15 single
90a	WCY00995	053S Dehydrator for Powerfirst <i>6, 8, 11 and 13 single</i>
90b	WCY00997	084S Dehydrator for <i>Powerfirst 15 single</i>
17a	WTC03906	BBIZE 2 Expansion valve for <i>Powerfirst 6, 8 11 single</i>
17b	WTC03903	BBIZE4 3/8 1/2 Expansion valve for <i>Powerfirst 13 et 15 single</i>
44	WTC03815	LP pressure switch* 0.5/2 bars
45	WTC03816	HP pressure switch* 4233 Bars
21	WPV01002	Base
23 9	WPV01003	Front face
23 9	WCE03829	Lexan
9	WCE03829	Lexan
25	WPV01006	Fan grid
27	WPV01001	Cover
28	WPV01005	Casing corner
29	WPV01004	Rear panel
34	WPV01007	Access Technical access panel
60	WNS03428	Half-union connection joint <i>(item) 32/47 thickness 5 mm</i>
61	W20RDU	60 Set of 2 half union connections <i>11/2 50 + joints</i>
67	WTC03784	Ventilator fan
E	WIB03510	Condenser output with connection
F	WIB03516	Condenser input connection
40	WCE03712	Regulation plate
48	WCE03699	White NTC "water temperature" <i>sensor (plastic tip)</i>

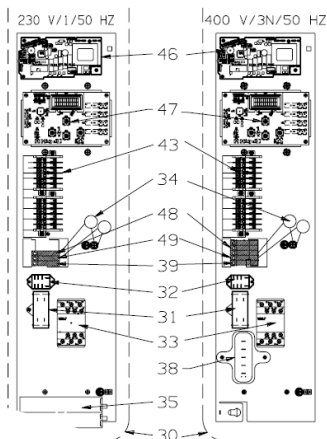
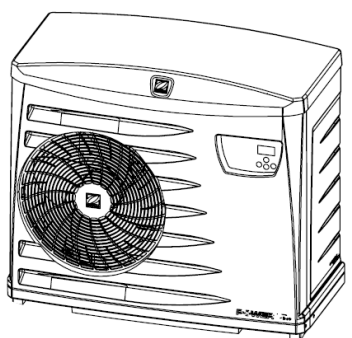
detail	identifikace	popis
49	WCE03701	Grey NTC "defrosting temperature" <i>sensor (plastic tip)</i>
47	WCE03700	Black NTC "anti-freeze temperature" <i>sensor (plastic tip)</i>
46	WCE03713	Red NTC water flow indicator (plastic tip)
51	WSK02020	Noryl flow controller
66	WTC03783	Ventilator motor
37a	WSG01941	50 µF Powerfirst 6, 8 and 11 single <i>condenser compressor</i>
37b	WCE03703	60 µF Powerfirst 13 and 15 single <i>condenser compressor</i>
38	WCE03714	5 µF condenser ventilator
39	WCO03847	Gradual starter for Powerfirst <i>11, 13 and 15</i>

TEPELNÁ ČERPADLA POWER FIRST PREMIUM



08101039-00

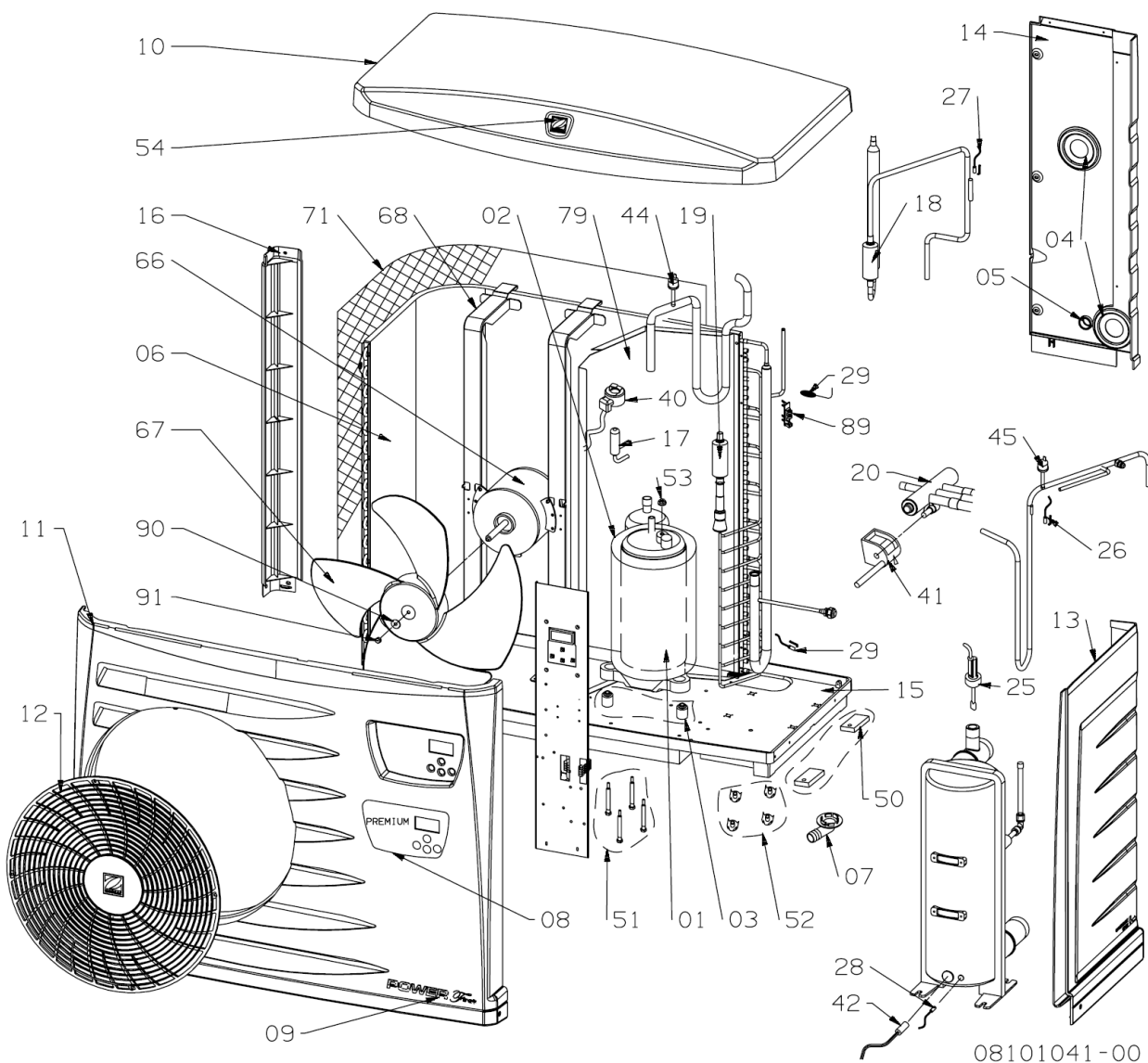
HEAT PUMP
ZODIAC® POWER FIRST PREMIUM
6-8-11-13



TEPELNÁ ČERPADLA POWER FIRST PREMIUM

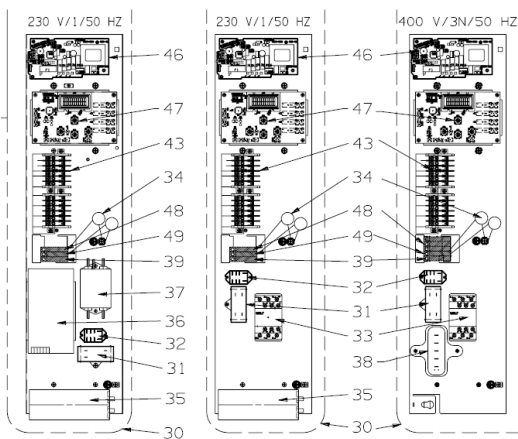
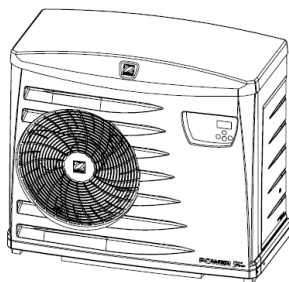
detail	identifikace	popis	detail	identifikace	popis
		ELECTRICAL SPARE PARTS			
25	WTC03943	PFPREM flow rate switch	10	WPV01001	PFPREM cover
26	WTC03995	Compressor ST5 discharge probe	11	WPV01003	PFPREM front panel
27	WTC03996	ST4 liquid probe	12	WPV01006	PFPREM grille
28	WTC03997	ST1 regulation probe	13	WPV01007	PFPREM technical door
29	WTC03998	ST2/ST3 antifrost and defrost probes	14	WPV01004	PFPREM rear panel
30	WTC03929	Set Electrical PREM 6	15	WPV01002	PFPREM base
30	WTC03930	Set Electrical PREM 8	16	WPV01005	PFPREM upright
30	WTC03931	Set Electrical PREM 11M			OTHER
30	WTC03932	Set Electrical PREM 11T	2	WTC03925	Compressor insulation PFPREM 6, 8
30	WTC03992	Set Electrical PREM 13M	2	WTC03926	Compressor insulation PFPREM 11, 13
31	WTC03936	Condenser 5 µF for PREM	7	WTC02971	Condensate drainage tube
33	WTC04001	Switch 25 A, 230 V, 50/60 Hz <i>, PFPREM 11 M, 13M</i>	8	WTC03942	PREMIUM Lexan
33	WTC03937	Switch 18 A, PREM <i>6, 8, 11T, 11TD, 15TD</i>	67	WTC03784	4-vane propeller
34	WTC03988	Varistore (S20K275)	68	WTC03895	Fan motor bracket
35	WTC04005	Condenser 55 µF PREM 11	71	WTC03896	Protective grille 1045 x 765
38	WTC03940	Phase controller (PREM TRI)			
40	WTC03941	Coil SAG UKV A053 for PREM			
46	WTC03944	Main card PFPREM A1			
47	WTC03939	Display card PREM A2			
66	WTC03783	Fan Motor			
		REFRIGERATING SPARE PARTS			
1	WTC03920	Compressor PFPREM 6			
1	WTC03921	Compressor PFPREM 8			
1	WTC03922	Compressor PFPREM <i>11MD and 11M</i>			
1	WTC03923	Compressor PFPREM <i>11TD and 11T</i>			
1	WTC03987	Compressor PFPREM 13			
6	WTC03985	Evaporator PFPREM 6, 8			
6	WTC03986	Evaporator PREM 11, 13 and 15			
17	WTC03927	Pressure reducer UKV for PREM 6 and 8			
17	WTC03928	Pressure reducer UKV for PREM 11			
17	WTC03994	Pressure reducer UKV 30D33 for PREM <i>13 and 15</i>			
44	WTC03815	Pressure switch, low pressure			
45	WTC03816	Pressure switch, high pressure			
		SHEET METAL			

TEPELNÁ ČERPADLA POWER FIRST PREMIUM TSR



08101041-00

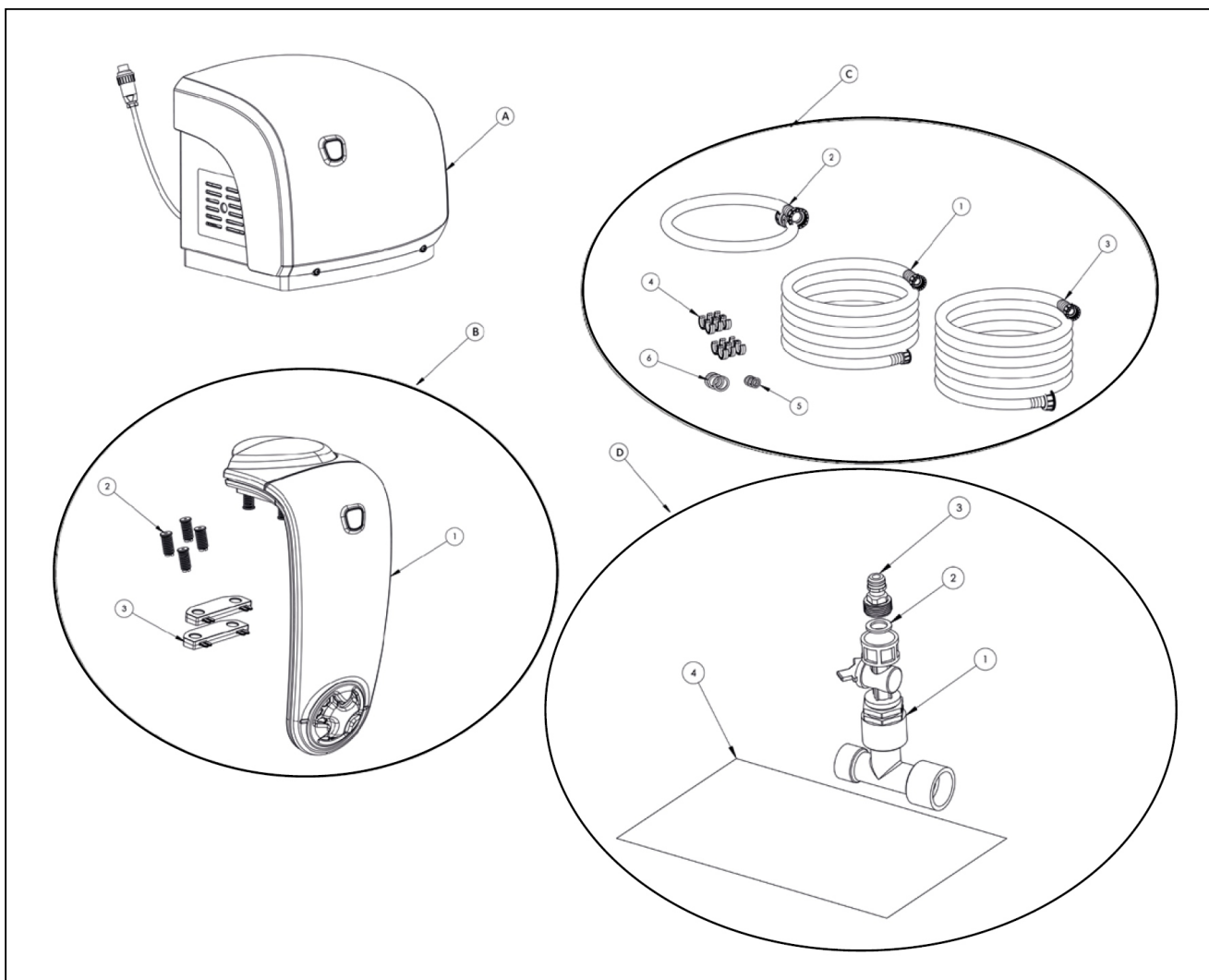
HEAT PUMP
ZODIAC® POWER FIRST PREMIUM
TSR-11-15



TEPELNÁ ČERPADLA POWER FIRST PREMIUM TSR

detail	identifikace	popis	detail	identifikace	popis
		ELECTRICAL SPARE PARTS			
25	WTC03943	PFPREM flow rate switch	13	WPV01007	PFPREM technical door
26	WTC03995	Compressor ST5 discharge probe	14	WPV01004	PFPREM rear panel
27	WTC03996	ST4 liquid probe	15	WPV01002	PFPREM base
28	WTC03997	ST1 regulation probe	16	WPV01005	PFPREM upright
29	WTC03998	ST2/ST3 antifrost and defrost probes			OTHER
30	WTC03934	Set Electrical PREM 11TD and 15 TD	2	WTC03926	Compressor insulation PFPREM 11, 13
31	WTC03936	Condenser 5 µF for PREM	2	WTC03993	Compressor insulation PFPREM 15
33	WTC04001	Switch 25 A, 230 V, 50/60 Hz <i>PFPREM 11 MD</i>	7	WTC02971	Condensate drainage tube
33	WTC03937	Switch 18 A, PREM <i>6, 8, 11T, 11TD, 15TD</i>	8	WTC03942	PREMIUM Lexan
34	WTC03988	Varistore (S20K275)	67	WTC03784	4-vane propeller
35	WTC04005	Condenser 55 µF PREM 11	68	WTC03895	Fan motor bracket
36	WTC03938	Softstart 25 A PREM15MD	71	WTC03896	Protective grille 1045 x 765
38	WTC03940	Phase controller (PREM TRI)			
40	WTC03941	Coil SAG UKV A053 for PREM			
41	WTC03990	4-way coil valve 11MD <i>,11D,15MD,15TD</i>			
42	WTC03991	Titanium resistance 55W <i>L500 (11MD, 11TD, 15MD, 15TD)</i>			
44	WTC03815	Pressure switch, low pressure			
45	WTC03816	Pressure switch, high pressure			
46	WTC03944	Main card PFPREM A1			
47	WTC03939	Display card PREM A2			
66	WTC03783	Fan Motor			
		REFRIGERATING SPARE PARTS			
1	WTC03922	Compressor PFPREM 11MD and 11M			
1	WTC03923	Compressor PFPREM 11TD and 11T			
1	WTC03924	Compressor PFPREM 15 MD			
1	WTC03999	Compressor C-SBP160H38A 15TD			
6	WTC03986	Evaporator PREM 11, 13 and 15			
17	WTC03928	Pressure reducer UKV for PREM 11			
17	WTC03994	Pressure reducer UKV 30D33 for <i>PREM 13 and 15</i>			
20	WTC03989	4-way valve PFPREM <i>11MD, 11TD, 15MD, 15TD</i>			
		SHEET METAL			
10	WPV01001	PFPREM cover			
11	WPV01003	PFPREM front panel			
12	WPV01006	PFPREM grille			

ZODIAC EASY CONNECT



detail	identifikace	popis
A	W2357A	PUMP BOX EASY CONNECT
B	W2358A	EASY CONNECT IN/OUT HEAD
B1		EASY CONNECT IN/OUT HEAD
B2		ADJUSTABLE FOOT
B3		FIXING EDGE
C	W2359A	EASY CONNECT
C1		IN/OUT HOSE 6m
C2		IN/OUT HOSE 1m
C3		IN/OUT HOSE 7m
C4		EASY CONNECT HOSE FITTING
C5		FLAT SEAL 1" HOSE CONNECTOR
C6		FLAT SEAL 1"1/2HOSE CONNECTOR
D	W2396A	T-VALVE ASSEMBLY
D1		S/E T VALVE
D2		TPE 3/4" HOSE CONNECTOR

detail	identifikace	popis
D3		EASY CONNECT QUICK CONNECT
D4		EASY CONNECT T-CONNECTOR ADDENDUM